



T&S BRASS AND BRONZE WORKS, INC.
 2 SADDLEBACK COVE / P.O. BOX 1088 / TRAVELERS REST, SC 29690
 PHONE 800-476-4103 FAX 864-834-3518



Model No.

B-1343

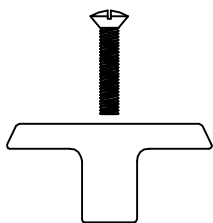
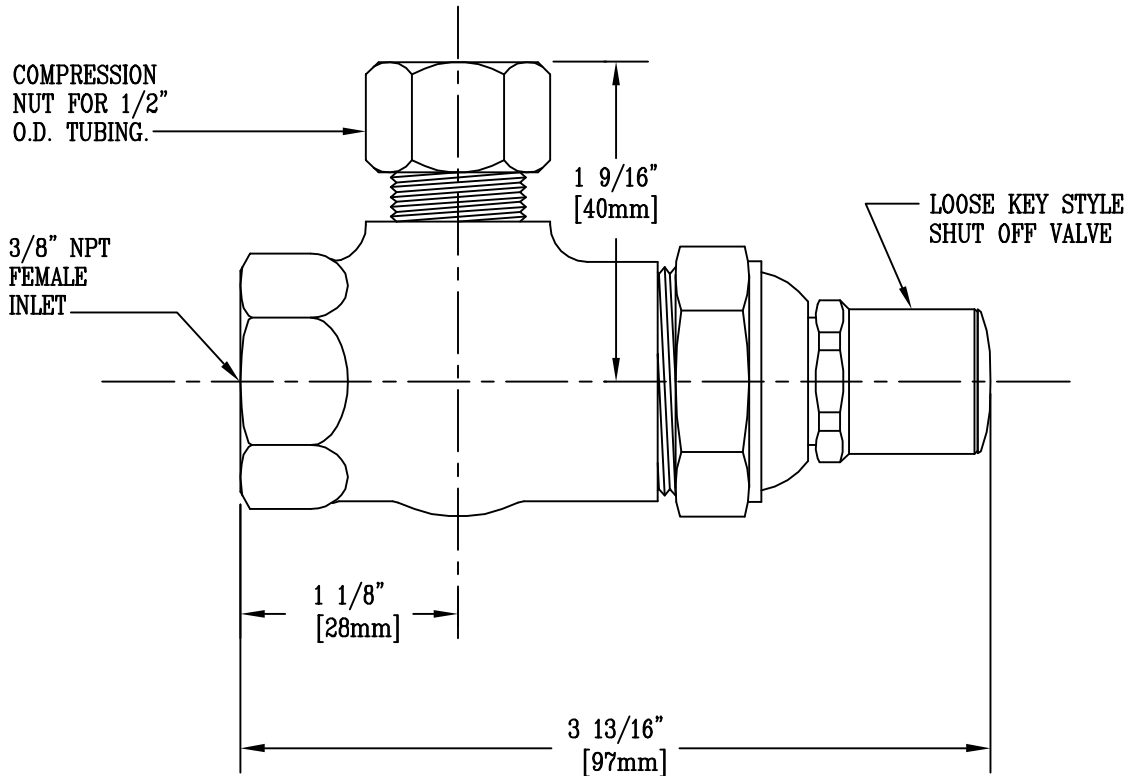
Item No.:

REG.#A2601
ISO #9002

Job Name:

Architect/Engineer Approval:

Notes:



LOOSE KEY
AND SCREW
SHIPPED LOOSELY
SCALE 1:2

Product Description:

ANGLE STOP WITH 3/8" NPT FEMALE INLET,
 REMOVABLE SEAT, LOOSE KEY HANDLE,
 COMPRESSION NUT TO FIT 1/2" O.D. TUBING

Drawn:

TEH

Approved

MVW

Checked

LEL

Scale:

1' = 1'

Date:

01/02/03