



T&S BRASS AND BRONZE WORKS, INC.
 2 SADDLEBACK COVE / P.O. BOX 1088 / TRAVELERS REST, SC 29690
 PHONE 800-476-4103 FAX 864-834-3518

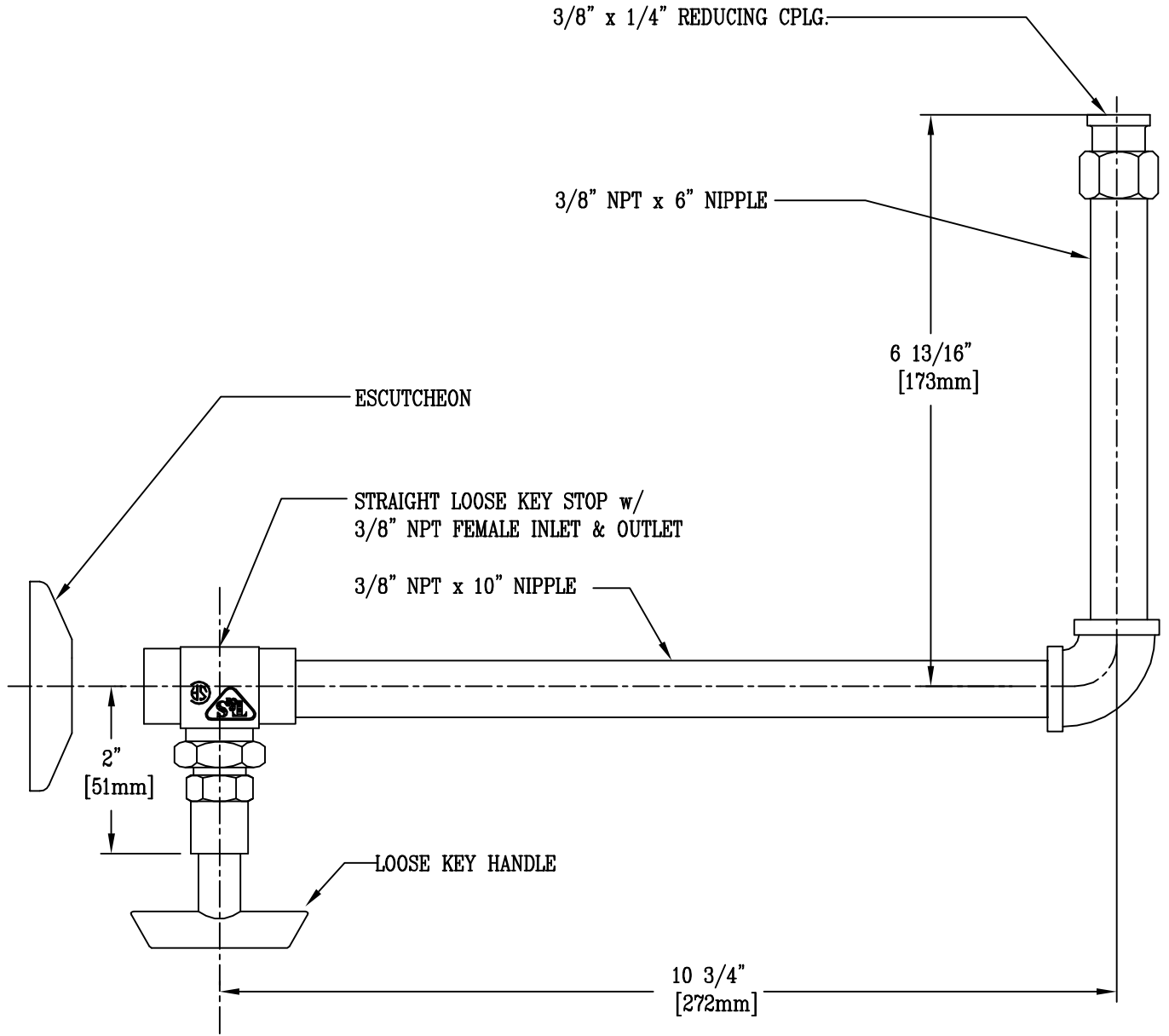


Model No.
 B-1360
 Item No.:

Job Name:

Architect/Engineer Approval:

Notes:



Product Description: STRAIGHT LOOSE KEY STOP-3/8" NPT	Drawn: JKD	Checked WJS	Scale: 1:2
	Approved MVW		Date: 7/10/02