



T&S BRASS AND BRONZE WORKS, INC.  
 2 SADDLEBACK COVE / P.O. BOX 1088 / TRAVELERS REST, SC 29690  
 PHONE 800-476-4103 FAX 864- 834-3518



Model No.

B-1423

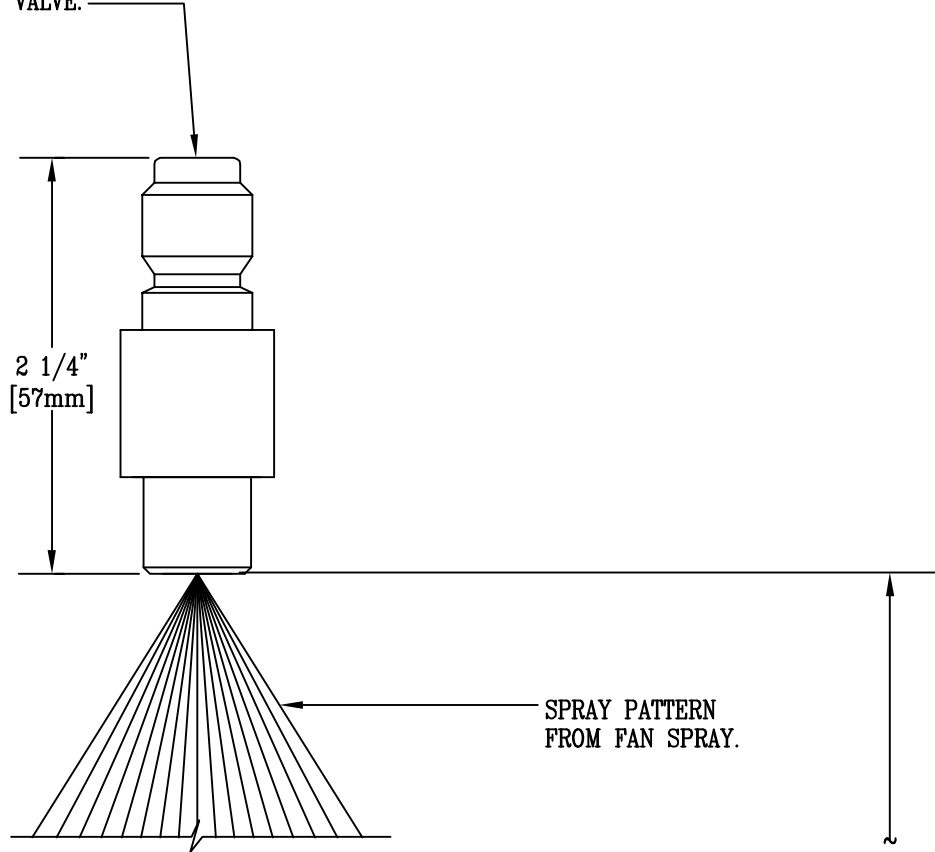
Item No.:

Job Name:

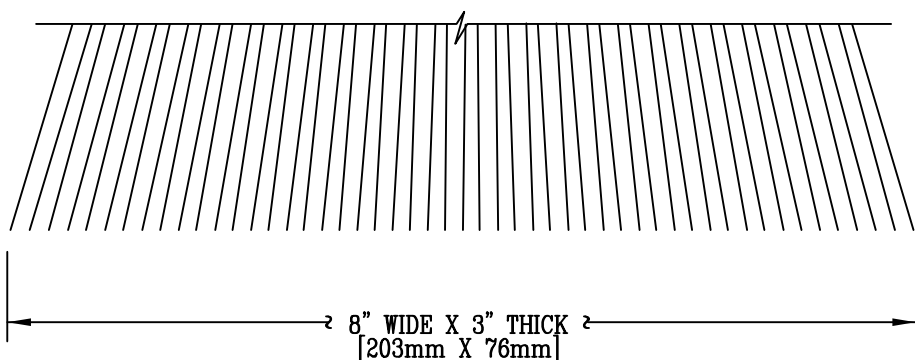
Architect/Engineer Approval:

Notes:

INSERT INTO QUICK-CONNECT  
 SOCKET OF SQUEEZE VALVE.



30"  
 [762mm]



8" WIDE X 3" THICK  
 [203mm X 76mm]

Product Description:  FAN SPRAY QUICK-CONNECT FOR USE WITH SQUEEZE VALVE ASSEMBLIES	Drawn:	Checked:	Scale:
	WJS	JKD	1' = 1'
	Approved:		Date:
	CA		11/22/95