

T&S BRASS AND BRONZE WORKS, INC.

2 SADDLEBACK COVE / P.O. BOX 1088 / TRAVELERS REST, SC 29690

PHONE 800-476-4103

FAX 864-834-3518



REG.#A2601
ISO #9002

Model No.

B-1433-05

Item No.:

Job Name:

Architect/Engineer Approval:

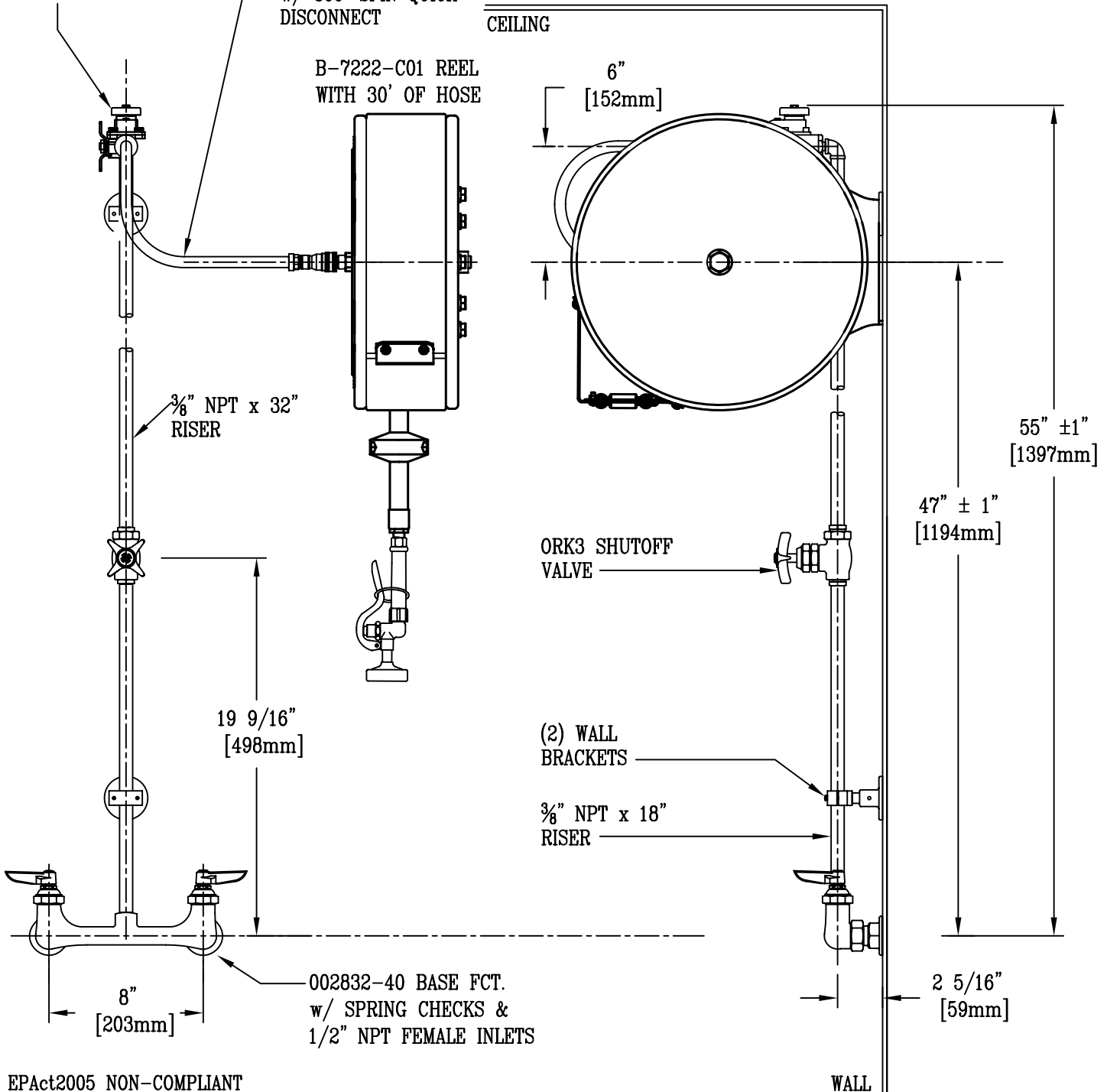
Notes:

B-0966 SPILL RESISTANT
VACUUM BREAKER WITH
INTEGRAL CHECK VALVE

HW-4B-36, 36"
FLEXIBLE WATER HOSE
W/ 360° SPIN QUICK
DISCONNECT

B-7222-C01 REEL
WITH 30' OF HOSE

CEILING



EPAAct2005 NON-COMPLIANT

Product Description:
B-7222-C01 ENCLOSED HOSE REEL, EB-0107 SPRAY VALVE,
B-0966 VACUUM BREAKER, 36" FLEXIBLE WATER CONNECTOR,
ORK3 SHUT-OFF VALVE & 002832-40 WALL MTD 8" MIXING FCT

Drawn:	Checked	Scale:
DHL	WJS	1:8
Approved	Date:	
JHB	8/18/06	