



T&S BRASS AND BRONZE WORKS, INC.
 2 SADDLEBACK COVE / P.O. BOX 1088 / TRAVELERS REST, SC 29690
 PHONE 800-476-4103 FAX 864-834-3518



Model No.

B-1438

Item No.:

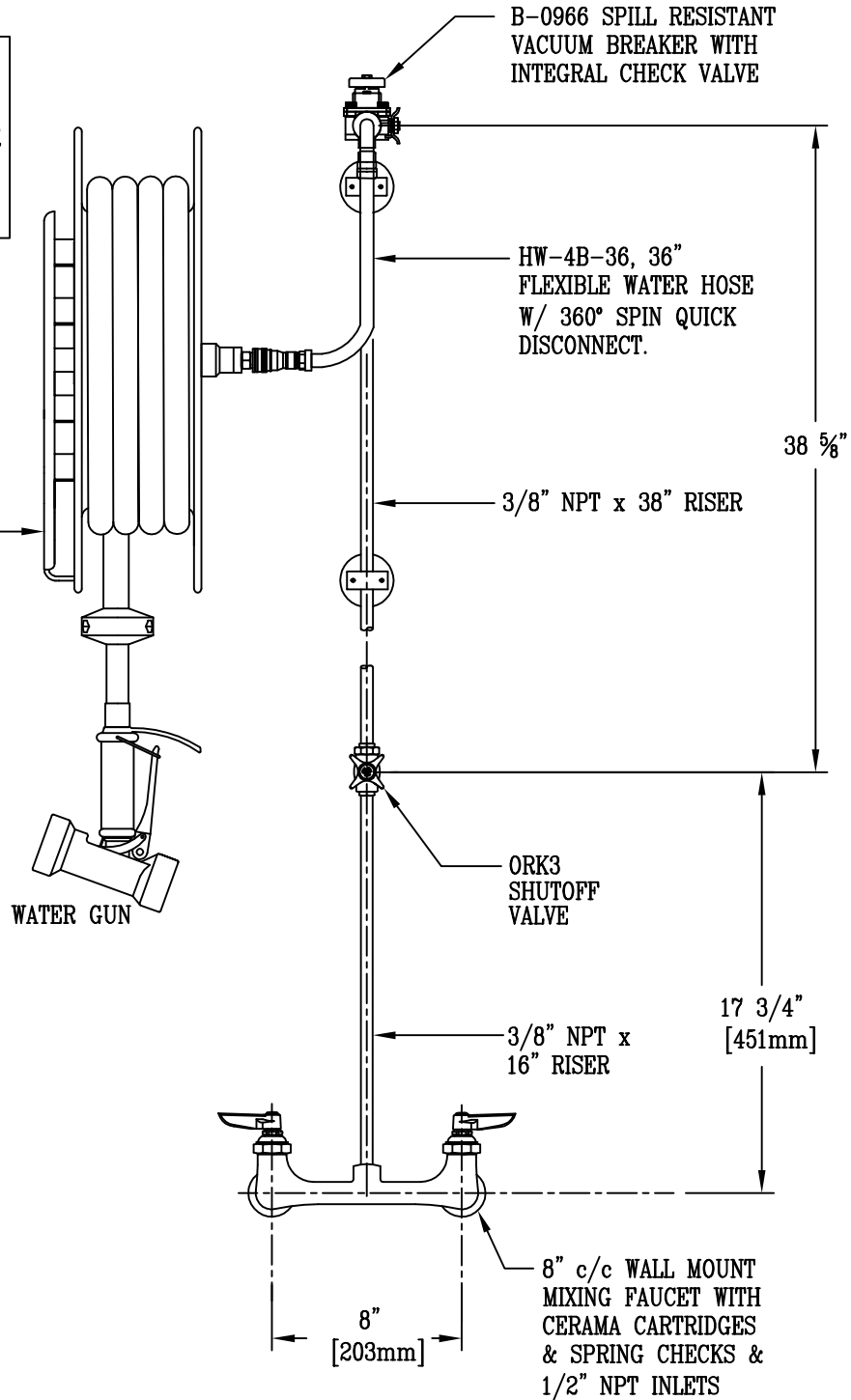
Job Name:

Architect/Engineer Approval:

Notes:

INSTALLATION NOTE:
 HOSE REEL CAN BE
 MOUNTED TO LEFT OR
 RIGHT OF MIXING
 FAUCET RISER

B-7142-02 HOSE
 REEL w/ 3/8" x 50'
 HOSE. INLET ON
 RIGHT SIDE, HOSE
 HANGS FROM
 LOWER REAR
 (AGAINST WALL)



Product Description:

HOSE REEL STATION w/ BASE FAUCET, RISERS, & VACUUM BREAKER

Drawn:

WJS

Checked

JRM

Scale:

1:8

Approved

JHB

Date:

09/26/06