



# T&S BRASS AND BRONZE WORKS, INC.

2 SADDLEBACK COVE / P.O. BOX 1088 / TRAVELERS REST, SC 29690  
PHONE 800-476-4103 FAX 864-834-3518



REG.#A2601  
ISO #9001

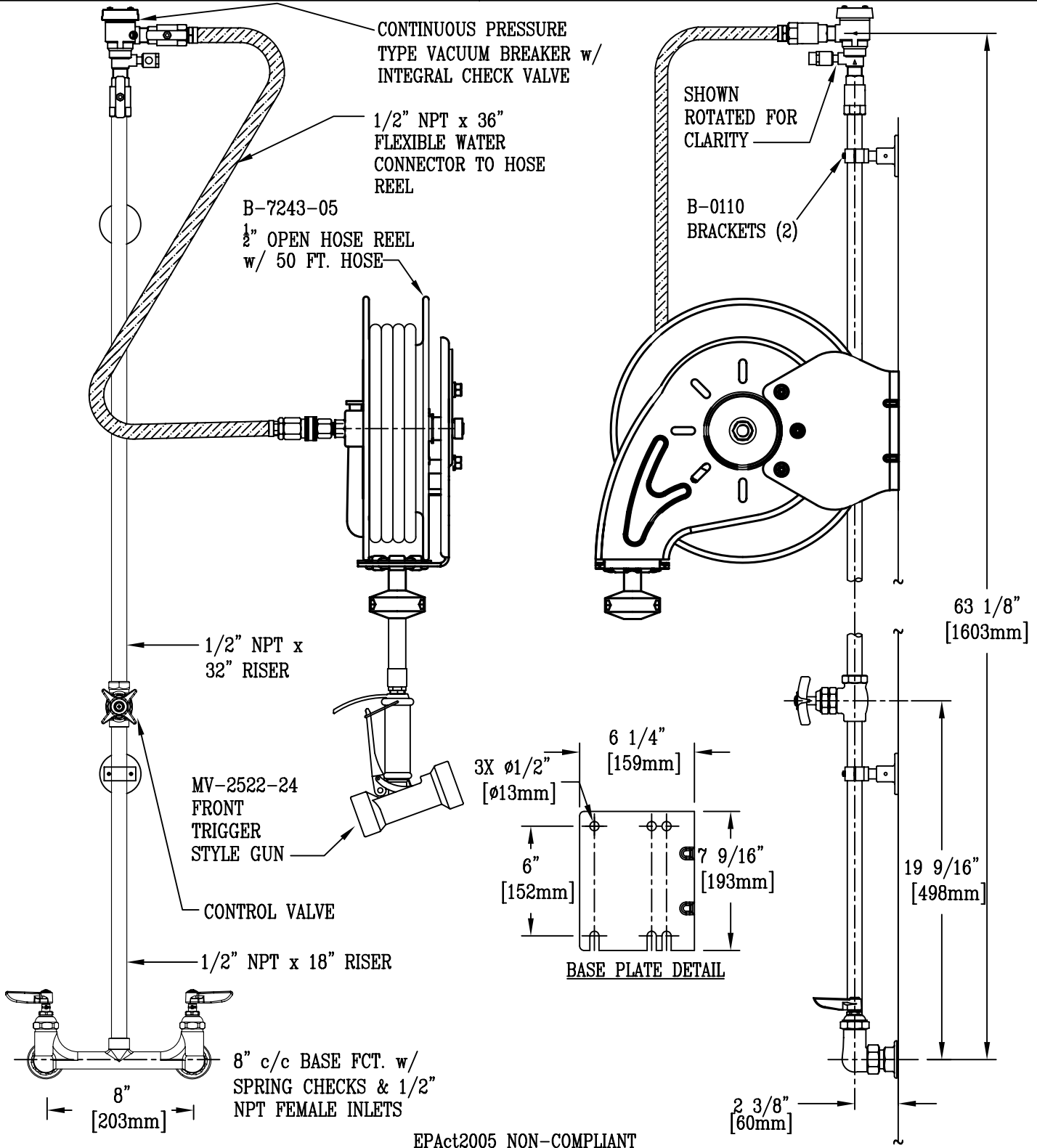
Model No.

B-1480

Item No.:

Job Name:

Architect/Engineer Approval:



### Product Description:

1/2" OPEN HOSE REEL w/ 50 FT. HOSE, MV-2522-24 SPRAY GUN, 1/2" VACUUM BREAKER, 36" 1/2" FLEXIBLE WATER CONNECTOR ASM, 8" c/c WALL MOUNT MIXING FCT. w/ 1/2" CONTROL VALVE IN RISER

Drawn:

JRM

Checked

DHL

Scale:

1:8

Approved

JHB

Date:

07/24/08