



T&S BRASS AND BRONZE WORKS, INC.
 2 SADDLEBACK COVE / P.O. BOX 1088 / TRAVELERS REST, SC 29690
 PHONE 800-476-4103 FAX 864-834-3518



Model No.

B-1983

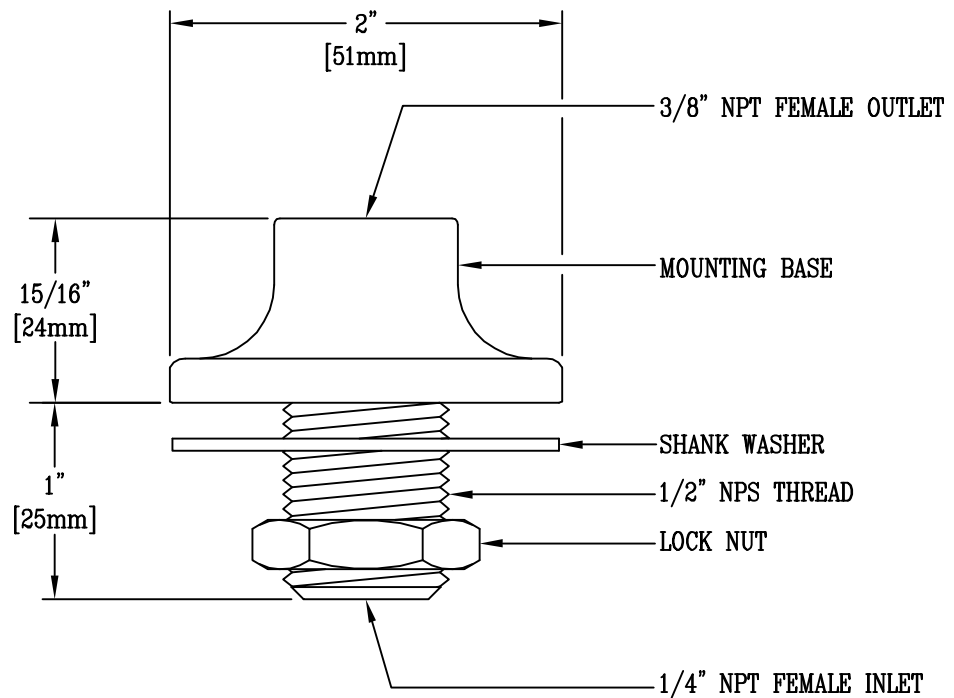
Item No.:

REG.#A2601
 ISO #9002

Job Name:

Architect/Engineer Approval:

Notes:



Product Description:

MOUNTING BASE WITH 1/4" NPT
 FEMALE INLET & 3/8" NPT FEMALE OUTLET

Drawn:

WJS

Approved

CA

Checked

ARY

Scale:

1' = 1'

Date:

8/24/95