



**T&S BRASS AND BRONZE WORKS, INC.**  
 2 SADDLEBACK COVE / P.O. BOX 1088 / TRAVELERS REST, SC 29690  
 PHONE 800-476-4103 FAX 864-834-3518



Model No.

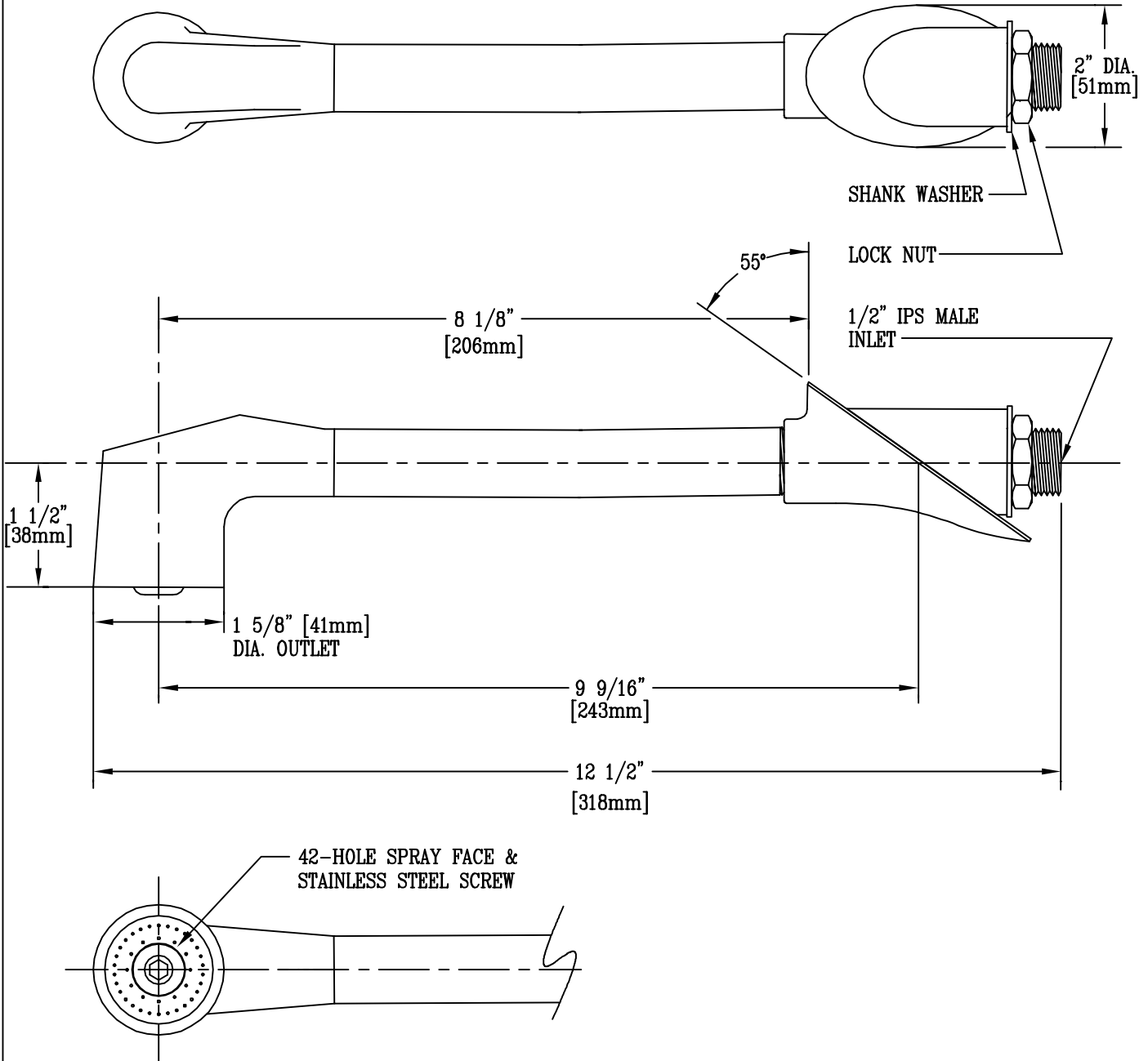
B-2183

Item No.:

Job Name:

Architect/Engineer Approval:

Notes:



Product Description: SURGEON'S SCRUB NOZZLE : 12 1/2" LONG POLISHED CHROME NOZZLE WITH 1/2" IPS MALE INLET & LOCKNUT & WASHER	Drawn:	Checked:	Scale:
	WJS	ARY	6"=1'
	Approved:	Date:	
CA			11/14/01