



T&S BRASS AND BRONZE WORKS, INC.

2 SADDLEBACK COVE / P.O. BOX 1088 / TRAVELERS REST, SC 29690

PHONE 800-476-4103

FAX 864- 834-3518



REG.#A2601  
ISO #9002

Model No.

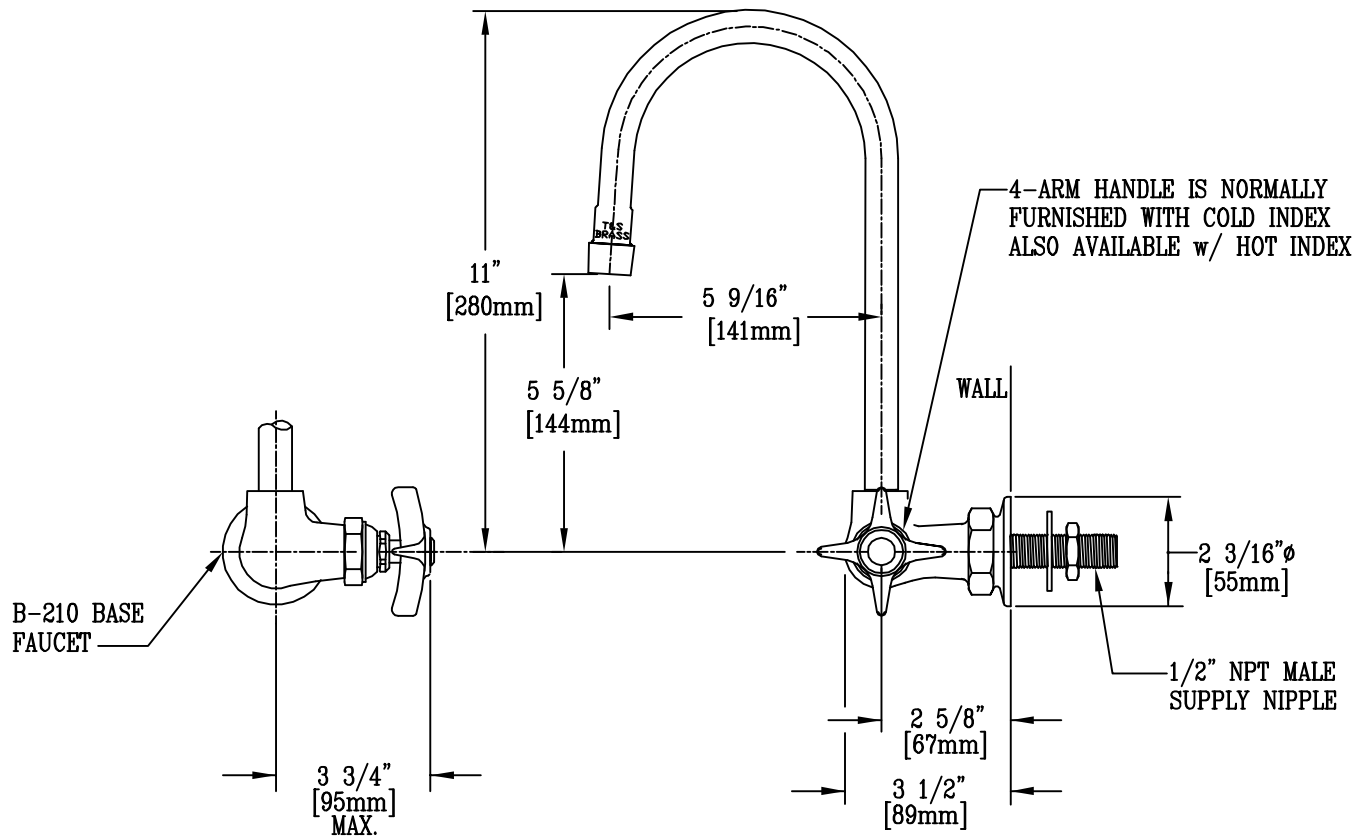
B-2216

Item No.:

Job Name:

Architect/Engineer Approval:

Notes:



Product Description:

SINGLE SINK FAUCET WITH GOOSENECK NOZZLE, AERATOR OUTLET, FOUR ARM KITCHEN HANDLE, & 1/2" NPT MALE SUPPLY NIPPLE

Drawn:

WJS

Approved

MVW

Checked

MVW

Scale:

1 : 4

Date:

6-16-99