



T&S BRASS AND BRONZE WORKS, INC.
 2 SADDLEBACK COVE / P.O. BOX 1088 / TRAVELERS REST, SC 29690
 PHONE 800-476-4103 FAX 864- 834-3518



Model No.

B-2245

Item No.:

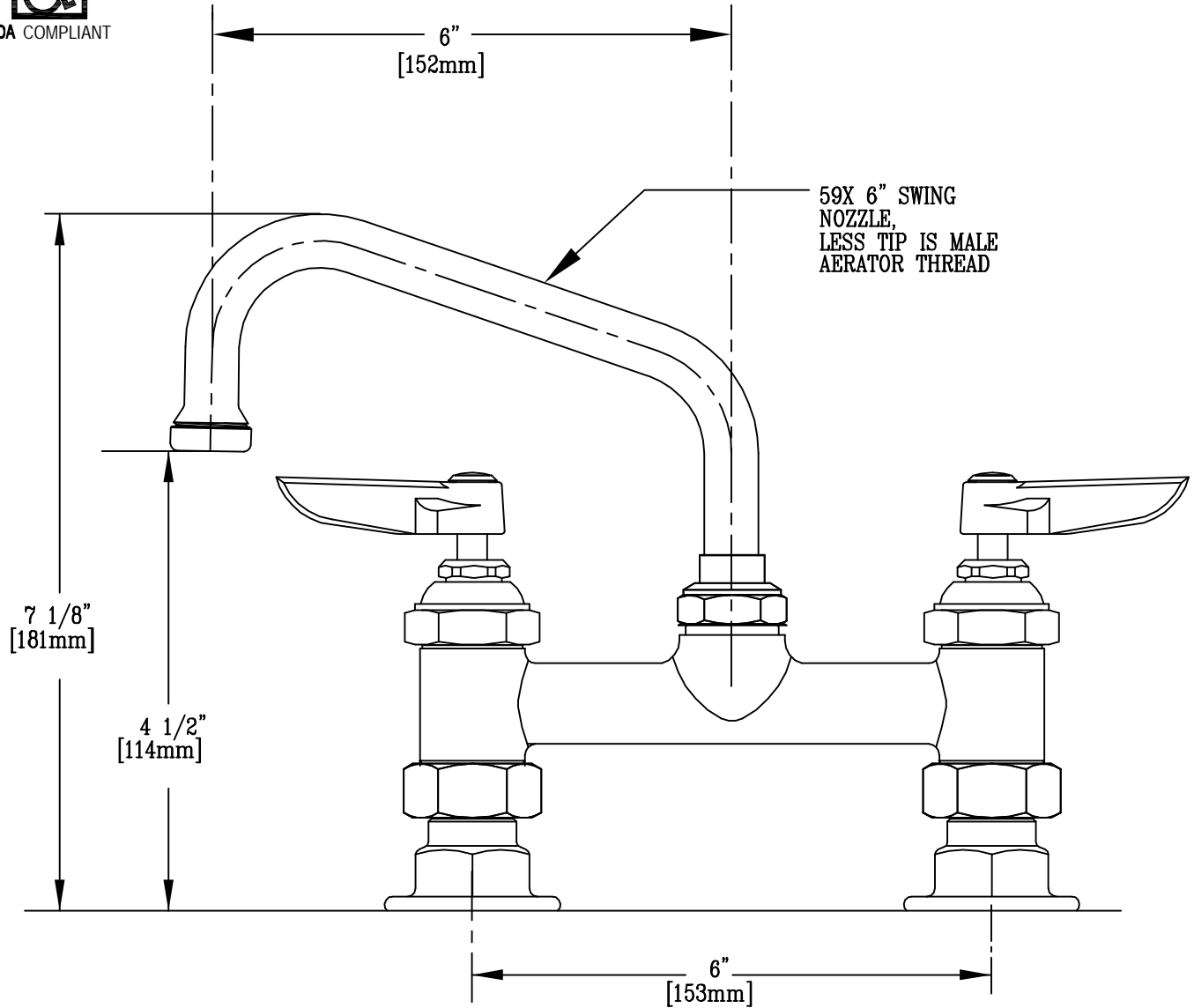
Job Name:

Architect/Engineer Approval:

Notes:



ADA COMPLIANT



Product Description:

6" C/C SWIVEL BASE FCT. WITH 59X
 SWING NOZZLE, & 1/2" NPT INLETS

Drawn:

WJS

Checked

DMA

Scale:

1:2

Approved

MVW

Date:

3/27/98