



T&S BRASS AND BRONZE WORKS, INC.

2 SADDLEBACK COVE / P.O. BOX 1088 / TRAVELERS REST, SC 29690

PHONE 800-476-4103

FAX 864-834-3518



REG.#A2601  
ISO #9002

Model No.

B-2250

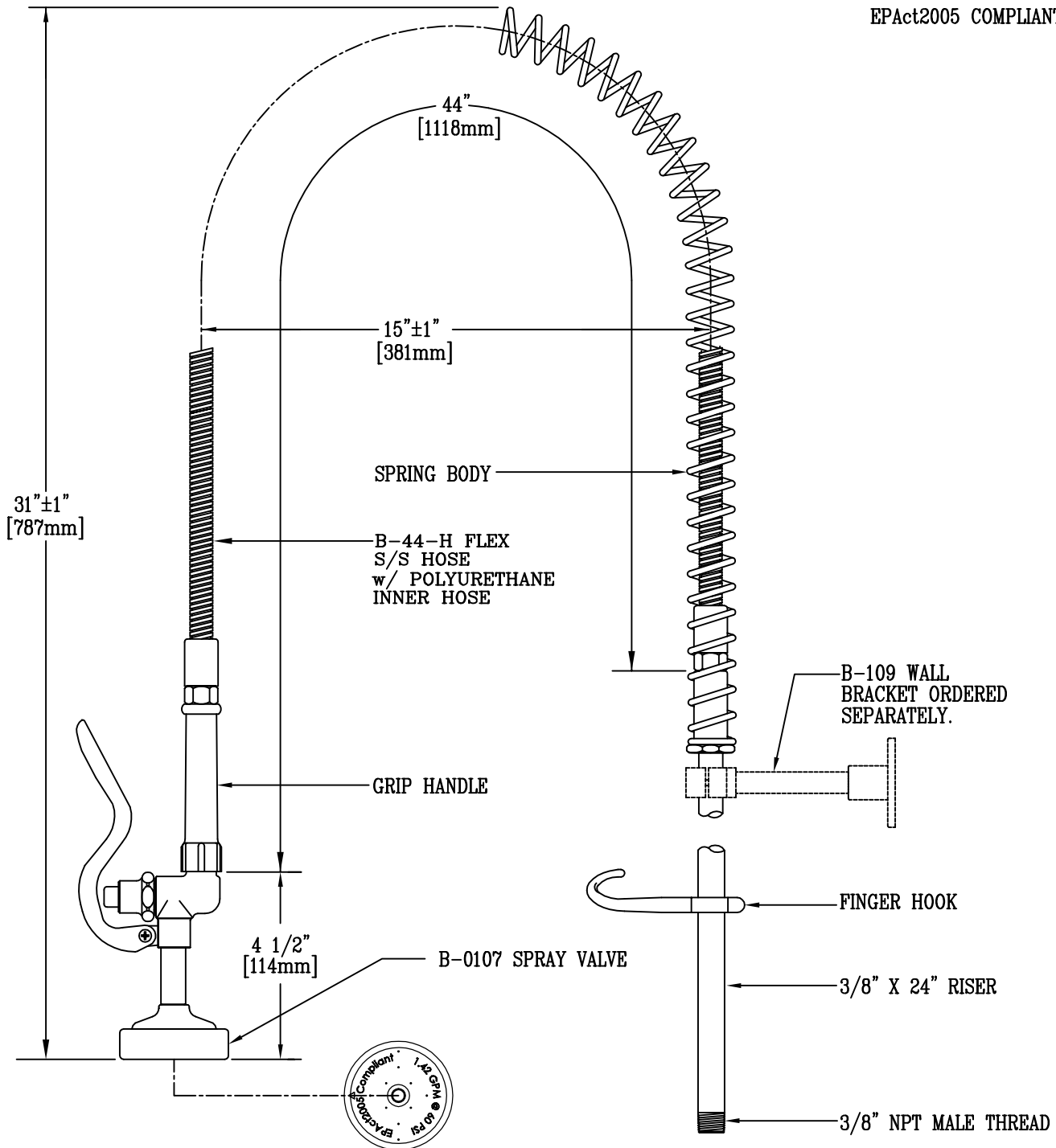
Item No.:

Job Name:

Architect/Engineer Approval:

Notes:

EPA Act 2005 COMPLIANT



Product Description:  
PRE-RINSE UNIT WITH 44" STAINLESS STEEL HOSE  
SELF-CLOSING SQUEEZE VALVE WITH RUBBER  
BUMPER, & 3/8" X 24" RISER PIPE

Drawn:

RJK

Checked

JRM

Scale:

1 : 4

Approved

JHB

Date:

01-04-06