



T&S BRASS AND BRONZE WORKS, INC.

2 SADDLEBACK COVE / P.O. BOX 1088 / TRAVELERS REST, SC 29690

PHONE 800-476-4103

FAX 864-834-3518



REG.#A2601
ISO #9002

Model No.

B-2271-POL

Item No.:

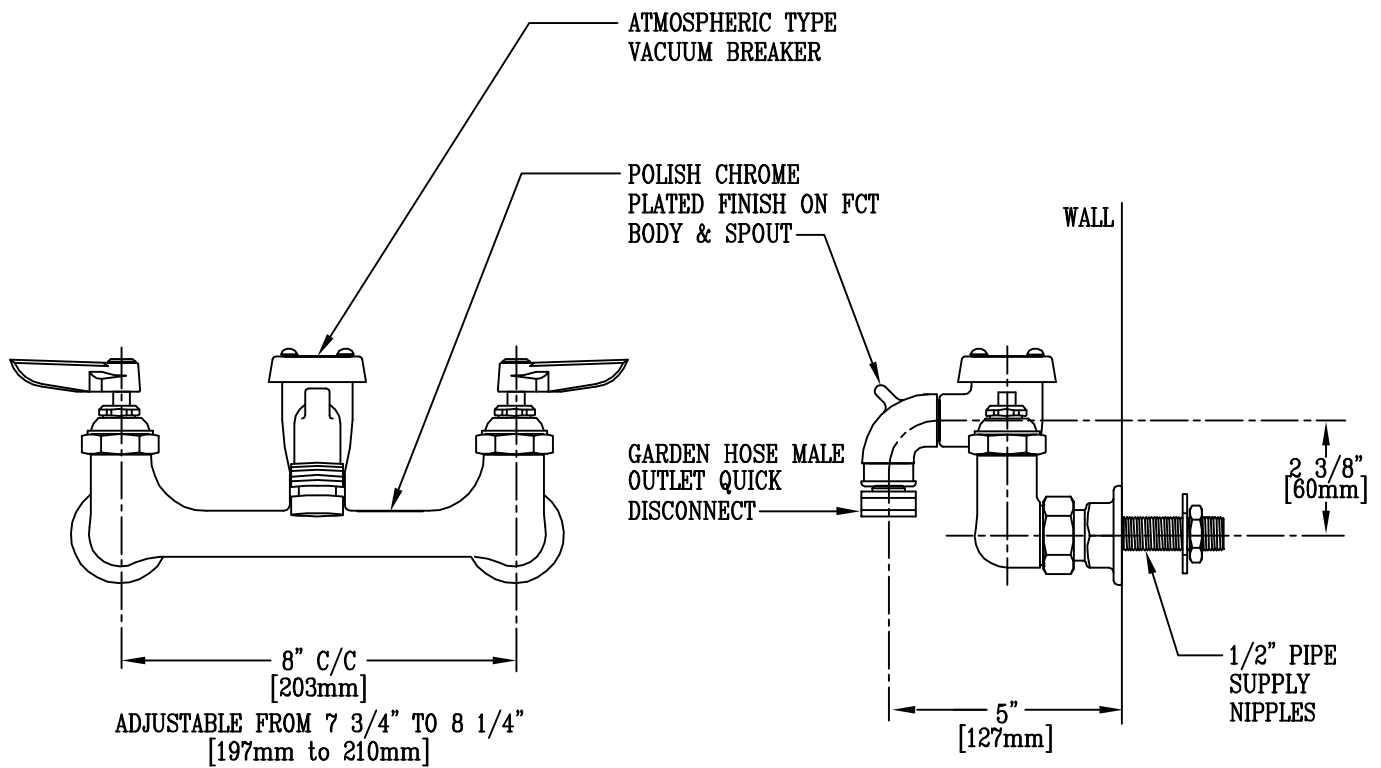
Job Name:

Architect/Engineer Approval:

Notes:



ADA COMPLIANT



Product Description:

SERVICE SINK FAUCET WITH VACUUM BREAKER, POLISH CHROME FINISH, QUICK DISCONNECT, & 1/2" NPT SUPPLY NIPPLES

Drawn:

WJS

Checked

JKD

Scale:

1 : 4

Approved

JKD

Date:

5/9/02