



T&S BRASS AND BRONZE WORKS, INC.
 2 SADDLEBACK COVE / P.O. BOX 1088 / TRAVELERS REST, SC 29690
 PHONE 800-476-4103 - FAX 864- 834-3518



Model No.

B-2285-CR

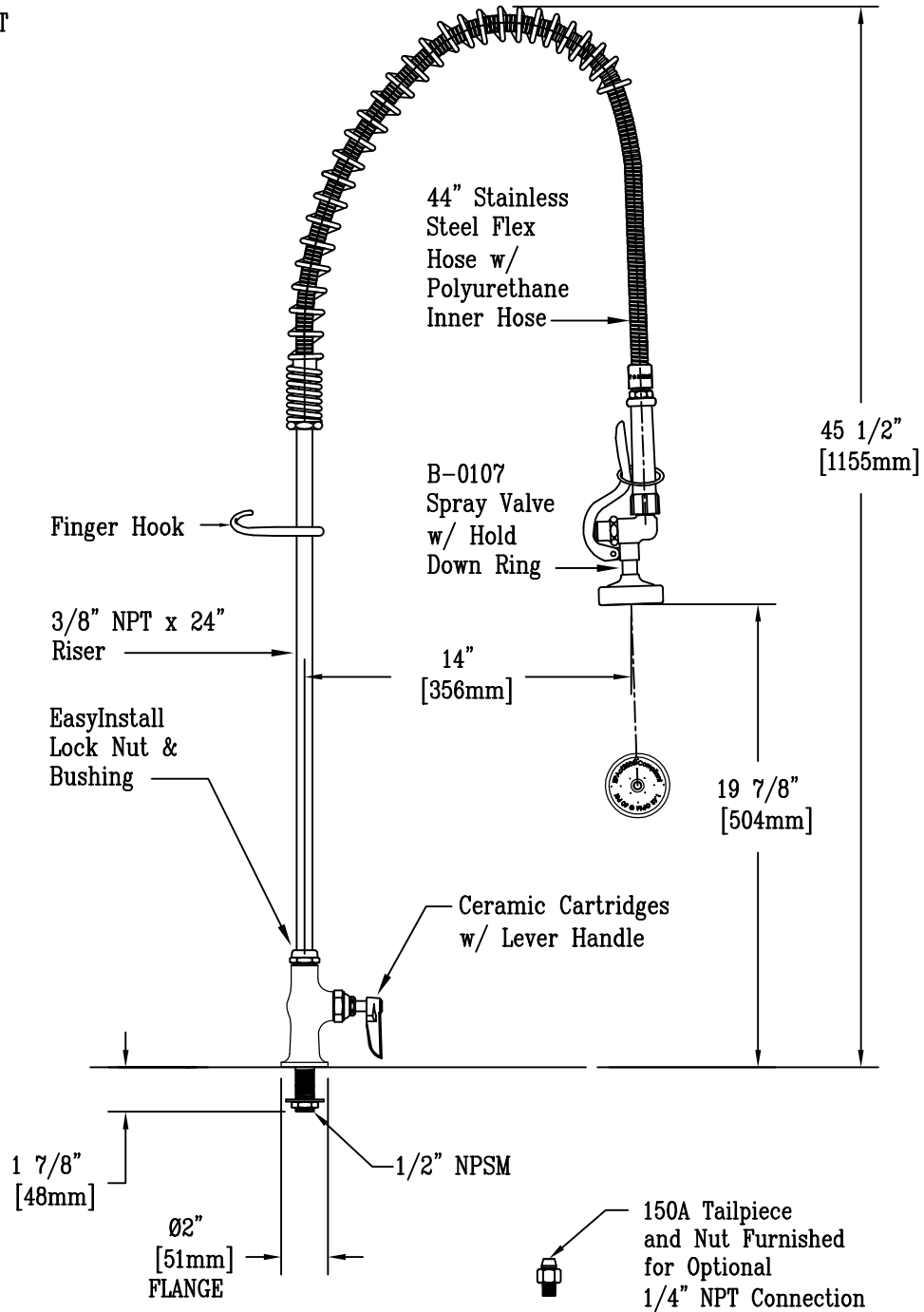
**RELIABILITY
 BUILT IN**

Job Name:

Architect/Engineer Approval:

Notes:

EPAct2005 COMPLIANT



Product Description:
 Pre-Rinse Unit w/ 1/2" NPSM Male Shank,
 Ceramic Cartridges, 44" Flex Hose & Spray Valve

Drawn: WJS	Checked DHL	Scale: 1:8
Approved JHB		Date: 04/26/07