



T&S BRASS AND BRONZE WORKS, INC.
 2 SADDLEBACK COVE / P.O. BOX 1088 / TRAVELERS REST, SC 29690
 PHONE 800-476-4103 - FAX 864- 834-3518



Model No.

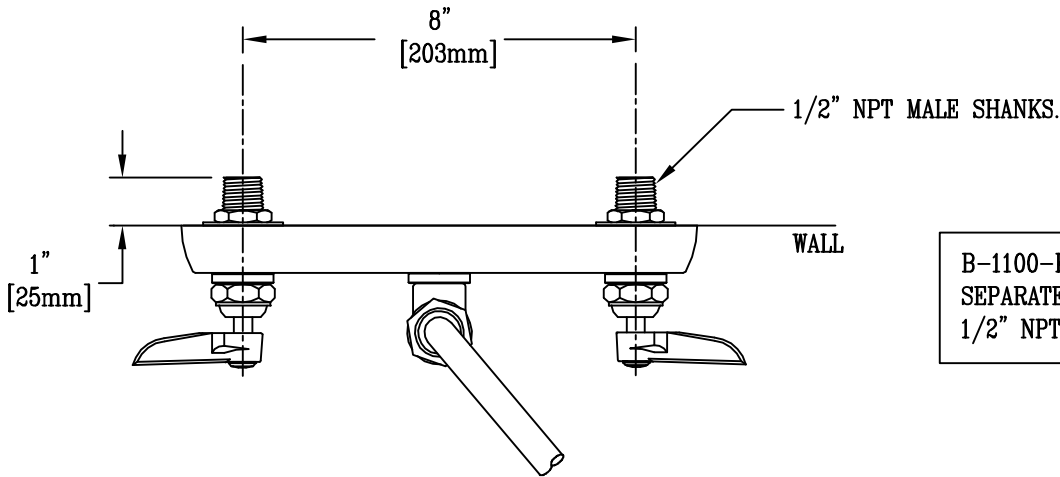
B-2291

**RELIABILITY
 BUILT IN**

Job Name:

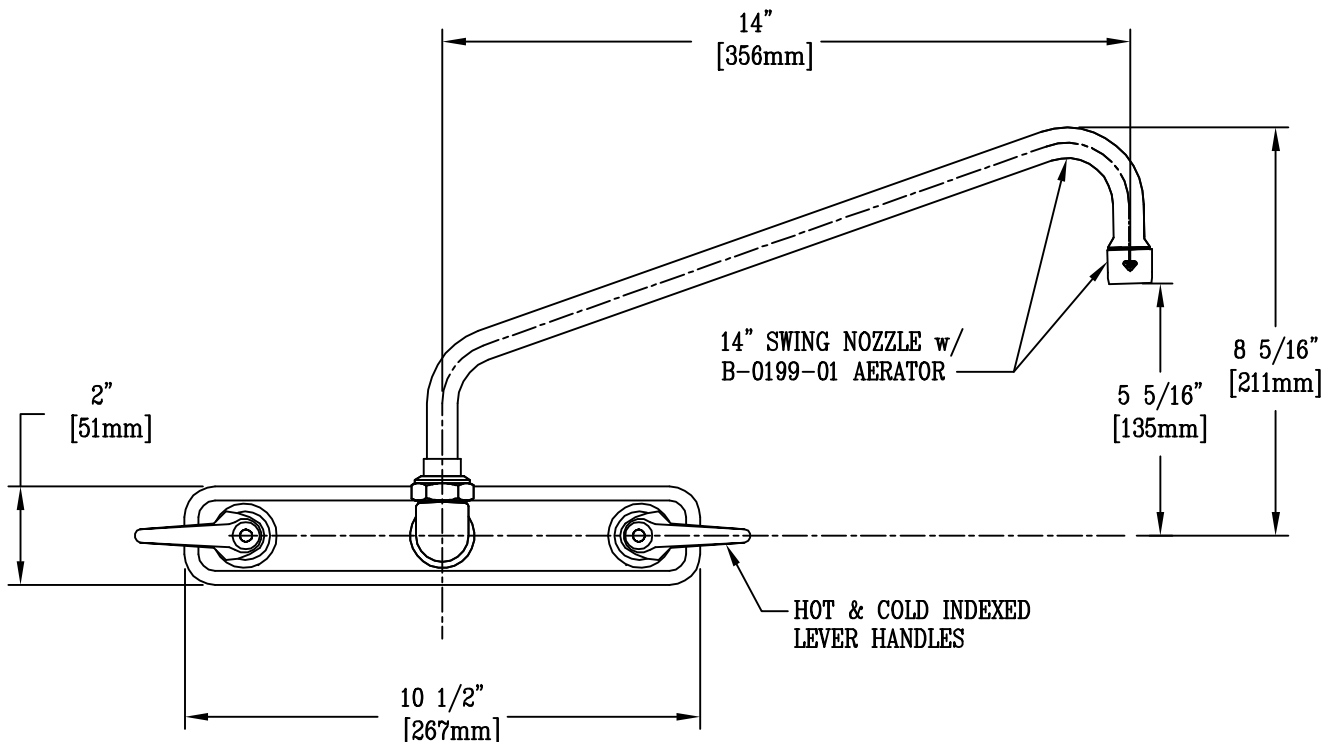
Architect/Engineer Approval:

Notes:



B-1100-K ELBOW KIT SOLD SEPARATELY. CONTAINS (2) 1/2" NPT MALE 90° ELBOWS

TOP VIEW



FRONT VIEW

Product Description:
 WALL MOUNT WORKBOARD FAUCET w/ 1/2" NPT MALE SHANKS, 8" INLET CENTERS, 14" SWING NOZZLE, B-0199-01 AERATOR, LEVER HANDLES

Drawn:

WJS

Checked:

JKD

Scale:

1 : 4

Approved:

MVW

Date:

10-4-01