



**T&S BRASS AND BRONZE WORKS, INC.**  
 2 SADDLEBACK COVE / P.O. BOX 1088 / TRAVELERS REST, SC 29690  
 PHONE 800-476-4103 - FAX 864- 834-3518



Model No.

B-2298-10

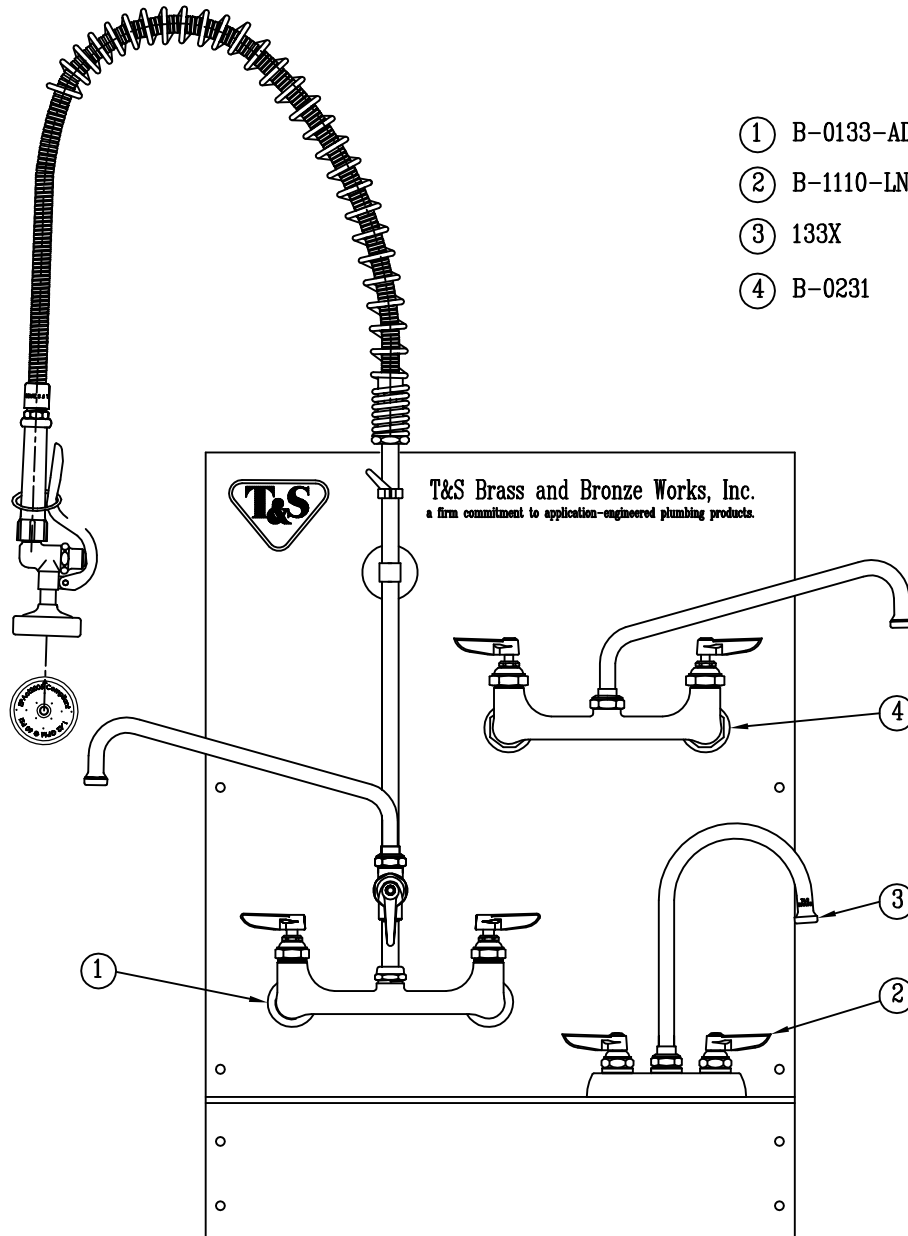
**RELIABILITY  
 BUILT IN**

Job Name:

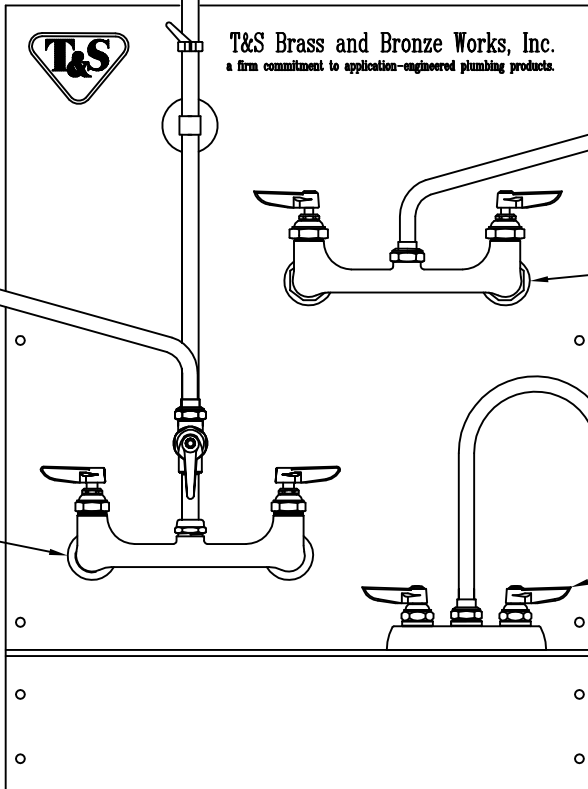
Architect/Engineer Approval:

Notes:

EPAAct2005 COMPLIANT



- ① B-0133-ADF12-B ( WITH WALL BRACKET)
- ② B-1110-LN
- ③ 133X
- ④ B-0231



Product Description:

DISPLAY STAND w/ PRODUCT

Drawn:

RJK

Approved

JHB

Checked

JRM

Scale:

1 : 8

Date:

01-04-06