



T&S BRASS AND BRONZE WORKS, INC.
 2 SADDLEBACK COVE / P.O. BOX 1088 / TRAVELERS REST, SC 29690
 PHONE 800-476-4103 FAX 864-834-3518



Model No.

B-2331-CR

Item No.:

REG.#A2601
ISO #9002

Job Name:

Architect/Engineer Approval:

Notes:

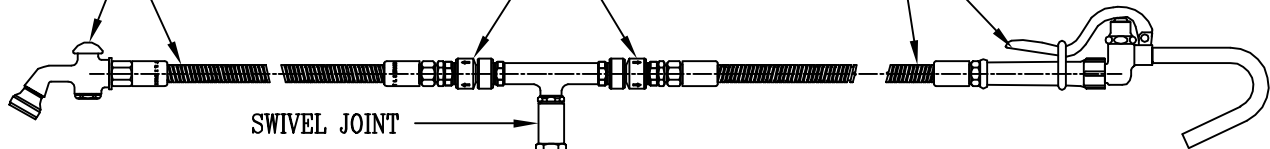


FURNISHED w/ (2)
B-0166 WALL HOOKS

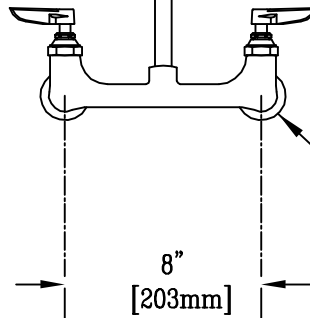
B-0068-H &
002857-40 on
LEFT SIDE

B-0970-FE
VACUUM BREAKER

B-0068-H &
002851-40 on
RIGHT SIDE



SWIVEL JOINT



8" c/c WALL
MOUNT w/
012394-25 &
012395-25 CERAMA
CARTRIDGES w/
SPRING CHECKS

8"
[203mm]

Product Description:

B-2331, CERAMAS, SPRING CHECKS,
002851-40, B-0068-H, 002857-40

Drawn:

WJS

Checked

JRM

Scale:

1:8

Approved

JHB

Date:

9/7/05