

T&S BRASS AND BRONZE WORKS, INC.
 2 SADDLEBACK COVE / P.O. BOX 1088 / TRAVELERS REST, SC 29690
 PHONE 800-476-4103 - FAX 864- 834-3518



Sales No.

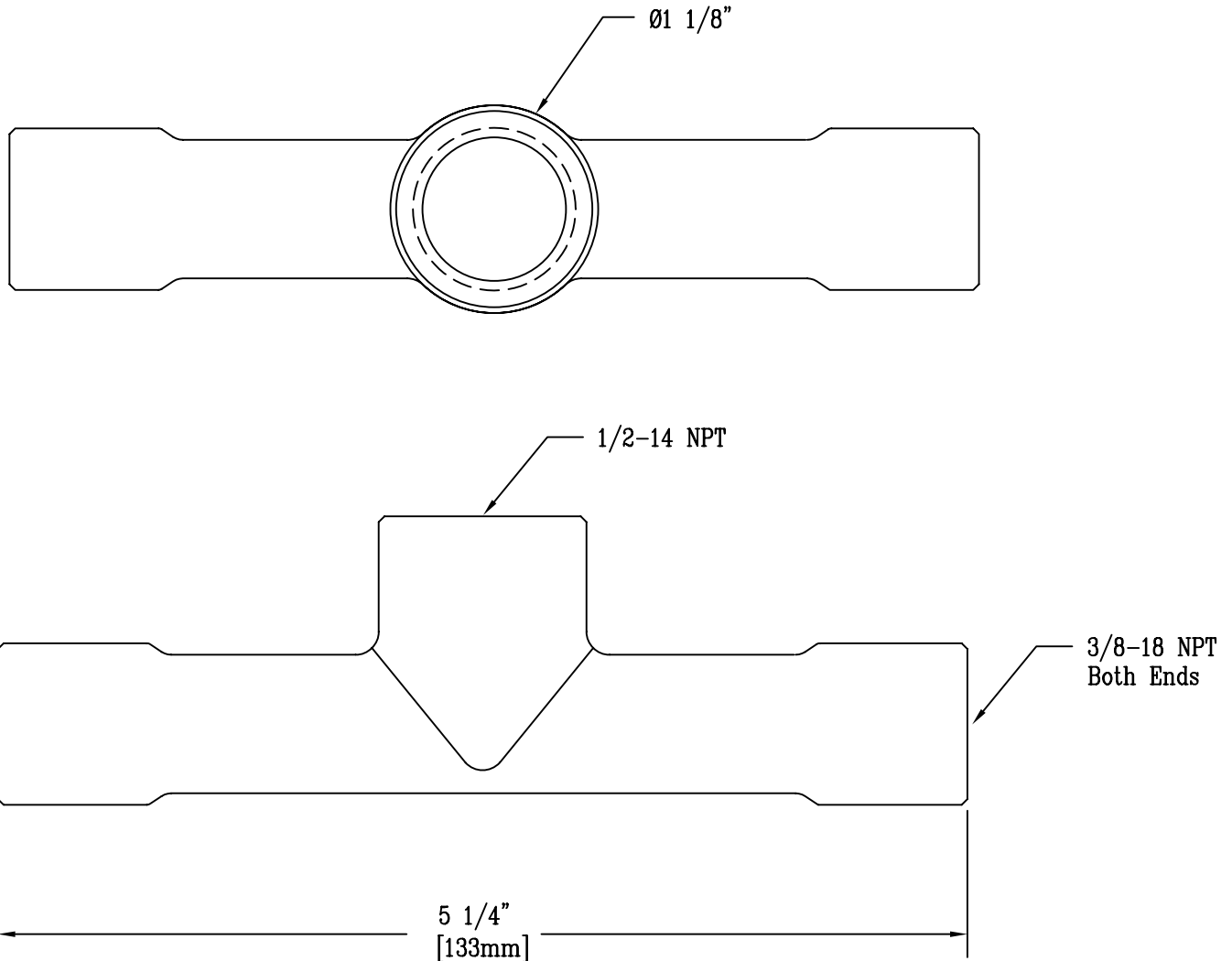
B-2331-TEE

**RELIABILITY
BUILT IN**

Job Name:

Architect/Engineer Approval:

Notes:



Finish: Chrome Plated

Product Description:

B-0695 Mixing Chamber Faucet Tee

Drawn:

DHL

Approved

JHB

Checked

MAV

Scale:

1:1

Date:

09/18/08