



T&S BRASS AND BRONZE WORKS, INC.

2 SADDLEBACK COVE / P.O. BOX 1088 / TRAVELERS REST, SC 29690

PHONE 800-476-4103

FAX 864-834-3518



REG.#A2601  
ISO #9002

Model No.

B-2340

Item No.:

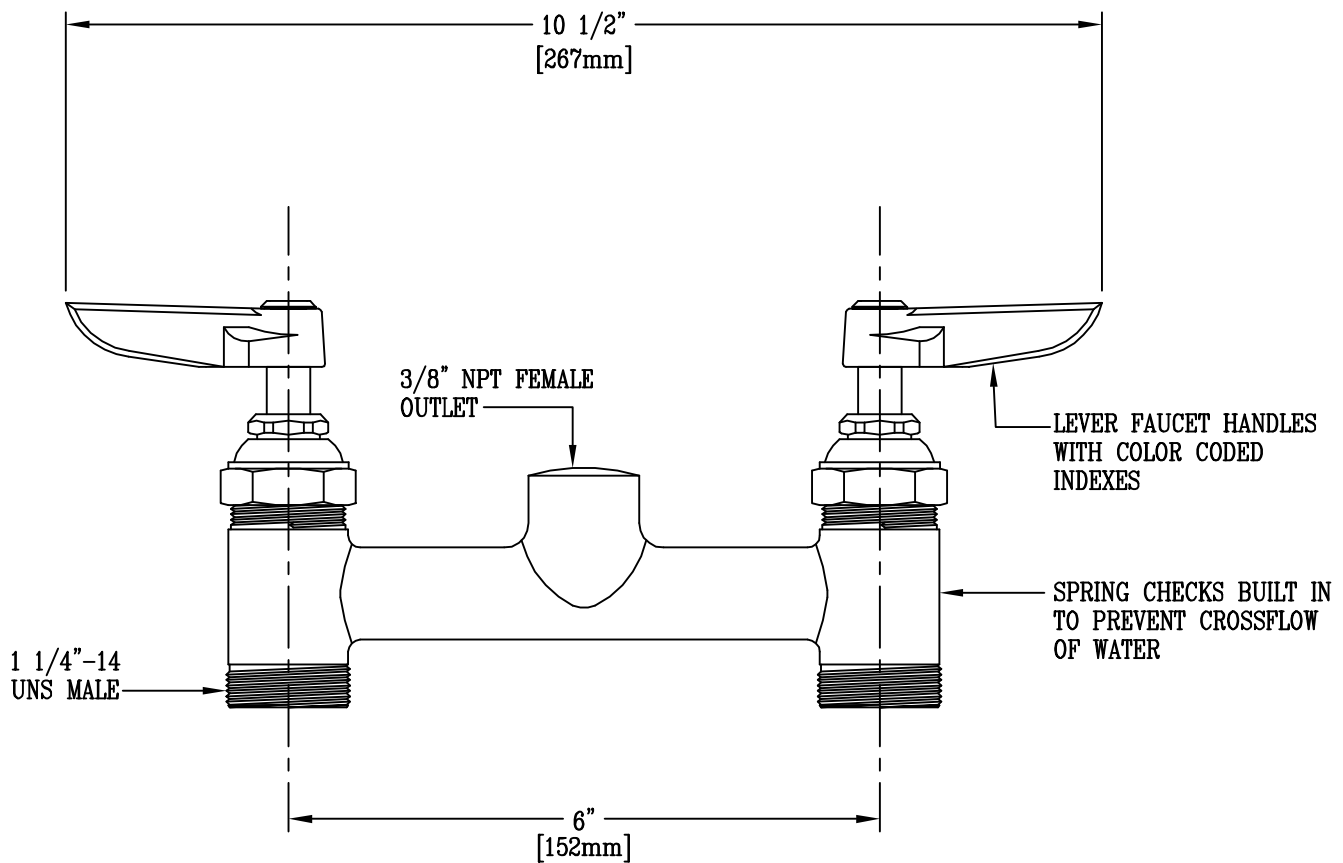
Job Name:

Architect/Engineer Approval:

Notes:



ADA COMPLIANT



Product Description:

U.K. BASE FAUCET WITH LEVER HANDLES,  
& 6" INLET CENTERS

Drawn:

WJS

Checked

JKD

Scale:

6" = 1'

Approved

CA

Date:

11/22/95