



T&S BRASS AND BRONZE WORKS, INC.

2 Saddleback Cove / P.O. Box 1088
Travelers Rest, SC 29690



REG. #A2601
ISO #9001

Model No.

B-2360-03-PA

Item No.

Travelers Rest, SC: 800-476-4103 Simi Valley, CA: 800-423-0150 Fax: 864-834-3518 www.tsbrass.com

This Space for Architect/Engineer Approval

Job Name _____ Date _____

Model Specified _____ Quantity _____

Customer/Wholesaler _____

Contractor _____

Architect/Engineer _____



ADA Compliant

238AB-PA
Pivot Action
Metering Cartridge
w/ Blank Handle and
Vandal Resistant Screw.

Handle can be Oriented
in any Position.



Vandal Resistant Screw.
Loosen Screw (Do Not
Remove) and Flip Handle
Up to Access Metering
Adjustment.
(Metering Adjustment
Requires 3/32" Hex Key)

011299-40
Forged Brass Mouth Guard

5 3/16"
[132mm]

5/8" (Typ)
[16mm]

Threaded Holes (4)
on Bottom Flange
Accept Anti-rotation
Pins (012698-45)

1/2" NPSM Male
Shank w/ Coupling Nut

Hidden Flow
Control Screw

3 15/16"
[100mm]

3 7/8"
[98mm]

5 3/4"
[147mm]



Furnished w/
Spanner Bit for
Vandal Resistant
Screw.

Rough-In: ϕ 1" Hole

Product Specifications:

**Bubbler w/ Forged Brass Mouth Guard, 1/2" NPSM
Male Shank and Pivot Action Metering Cartridge**

Drawn

DMH

Checked

GEF

Approved

JHB

Scale:

1:2

Date:

07/09/08



T&S BRASS AND BRONZE WORKS, INC.

2 Saddleback Cove / P.O. Box 1088
Travelers Rest, SC 29690



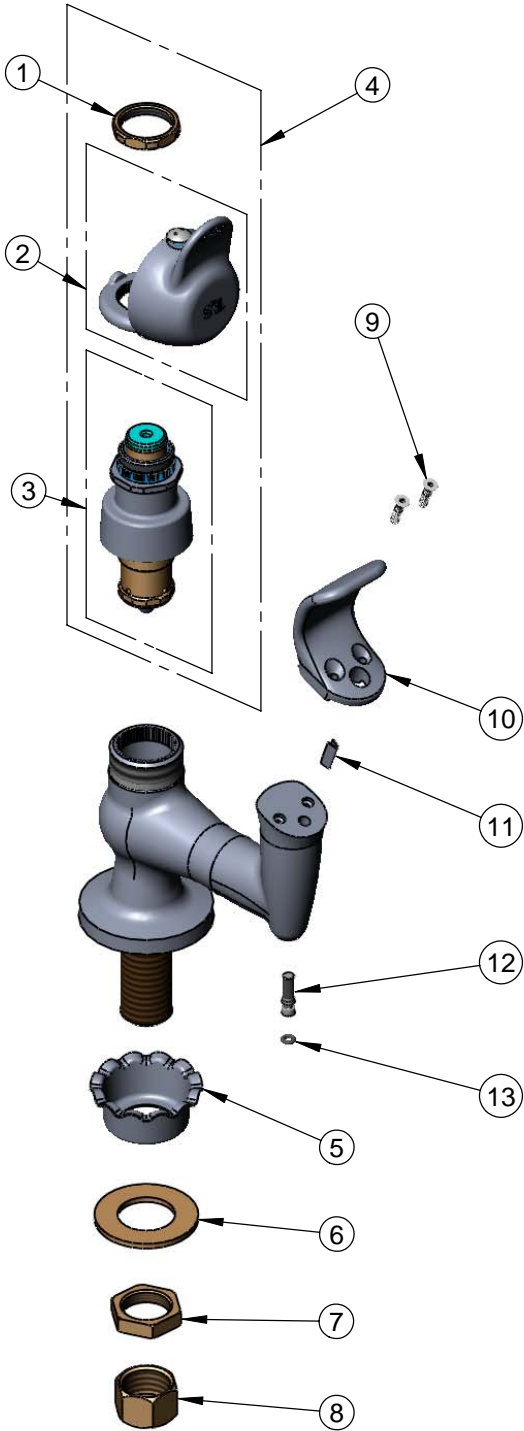
REG. #A2601
ISO #9001

Model No.

B-2360-03-PA

Item No.

Travelers Rest, SC: 800-476-4103 Simi Valley, CA: 800-423-0150 Fax: 864-834-3518 www.tsbrass.com



ITEM NO.	SALES NO.	DESCRIPTION
1	PA-N	Retaining Nut
2	PA-B	Blank Pivot Action Handle Assembly w/ Retaining Nut and Spanner Bit
3	238A-PA	Pivot Action Metering Cartridge w/ Retaining Nut
4	238AB-PA	Pivot Action Metering Cartridge w/ Blank Pivot Action Handle, Retaining Nut and Spanner Bit
5	001000-45	Rosette Washer
6	000999-45	Brass Lock Washer
7	002954-45	Shank Lock Nut
8	000958-20	Coupling Nut
9	009598-45	Mouth Guard Screw
10	011299-40	Forged Brass Mouth Guard
11	009594-45	Flow Straightener
12	015318-45	Flow Control Screw
13	015319-45	O-Ring



Spanner Bit for
Vandal Resistant Screw
014734-45



Pivot Action Handle
Vandal Resistant Screw
016654-45

Product Specifications:

**Bubbler w/ /Forged Brass Mouth Guard, 1/2" NPSM
Male Shank and Pivot Action Metering Cartridge**

Drawn DMH	Checked GEF	Approved JHB
Scale: NTS		Date: 07/09/08