



T&S BRASS AND BRONZE WORKS, INC.

2 Saddleback Cove / P.O. Box 1088
Travelers Rest, SC 29690



REG. #A2601
ISO #9001

Model No.
B-2360

Item No.

Travelers Rest, SC: 800-476-4103 Simi Valley, CA: 800-423-0150 Fax: 864-834-3518 www.tsbrass.com

This Space for Architect/Engineer Approval

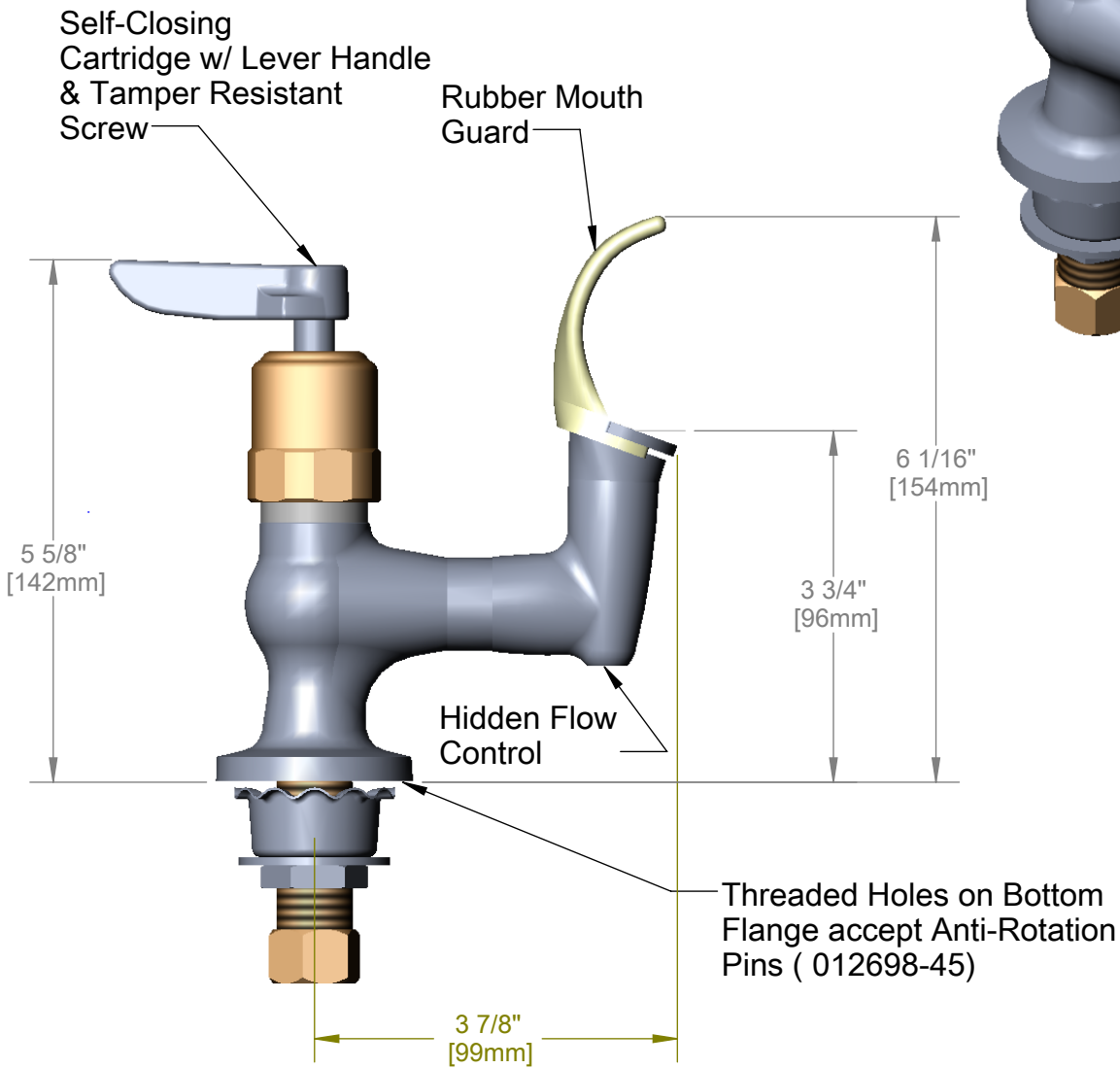
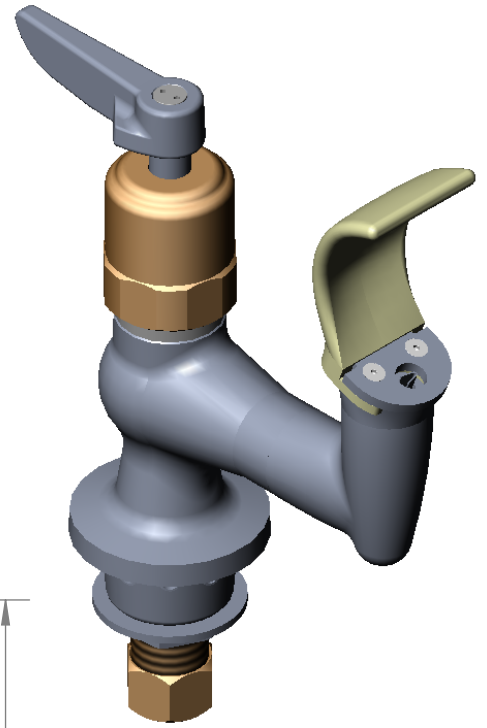
Job Name _____ Date _____

Model Specified _____ Quantity _____

Customer/Wholesaler _____

Contractor _____

Architect/Engineer _____



Product Specifications:
Bubbler w/ Rubber Mouth Guard

Drawn
WJS

Checked
JRM

Approved
JHB

Scale:

1:2

Date:

01/26/07



T&S BRASS AND BRONZE WORKS, INC.
 2 Saddleback Cove / P.O. Box 1088
 Travelers Rest, SC 29690

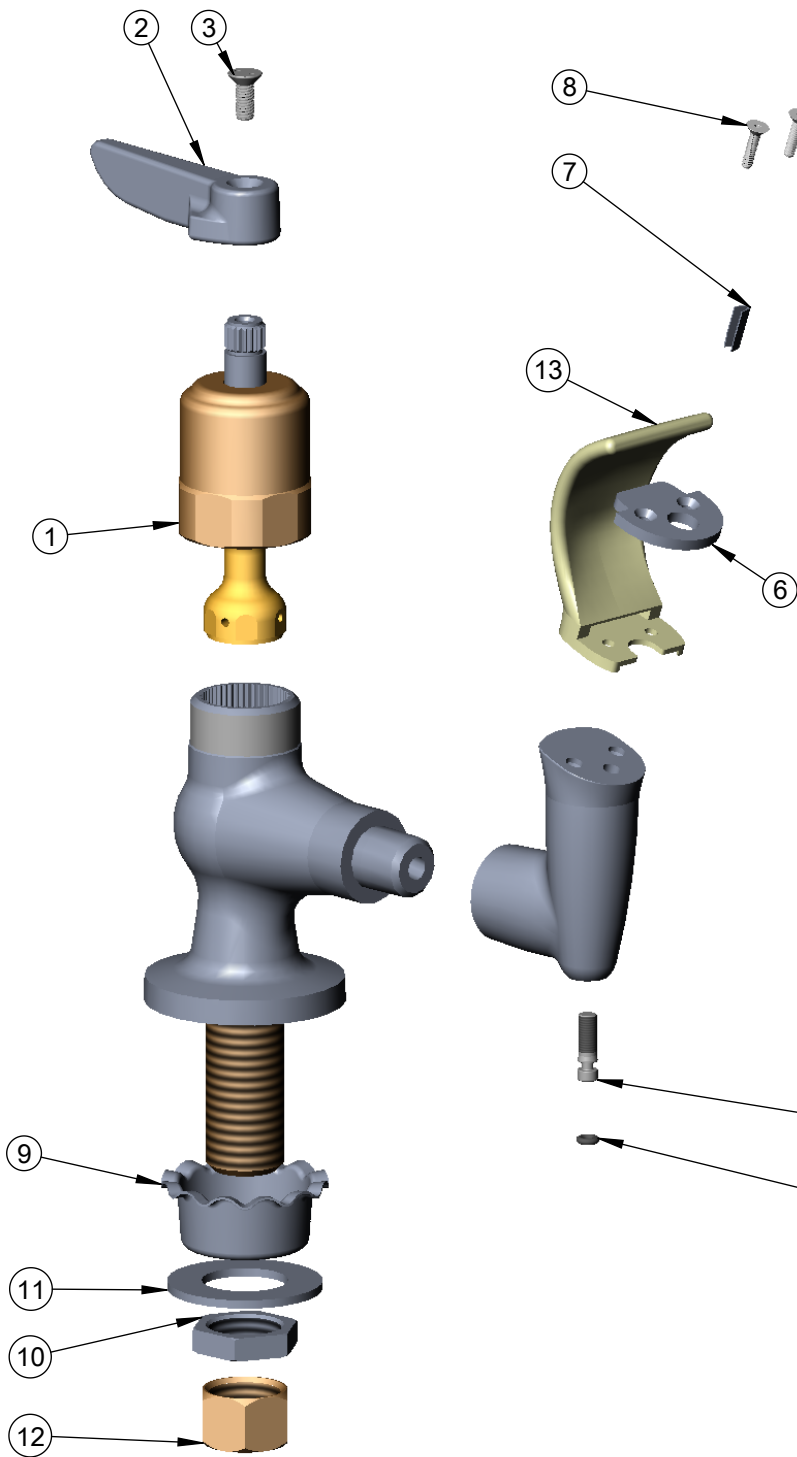


REG. #A2601
 ISO #9001

Model No.
B-2360

Item No.

Travelers Rest, SC: 800-476-4103 Simi Valley, CA: 800-423-0150 Fax: 864-834-3518 www.tsbrass.com



| ITEM | PART NO. | DESCRIPTION |
|------|-----------|----------------------|
| 1 | 015317-40 | Fast Close Cartridge |
| 2 | 177F | Lever Handle |
| 3 | 011755-45 | VR Screw |
| 4 | 015318-45 | Flow Control Screw |
| 5 | 015319-45 | O-Ring |
| 6 | 009596-40 | Mouth Guard Holder |
| 7 | 009594-45 | Flow Straightener |
| 8 | 009598-45 | Mouth Guard Screw |
| 9 | 001000-45 | Rosette Washer |
| 10 | 002954-45 | Shank Lock Nut |
| 11 | 007361-45 | Brass Lock Washer |
| 12 | 000958-20 | Coupling Nut |
| 13 | 009595-45 | Rubber Mouth Guard |

Product Specifications:

Bubbler w/ Rubber Mouth Guard

| | | |
|---------------|----------------|-------------------|
| Drawn WJS | Checked JRM | Approved JHB |
| Scale: 1:2 | | Date: 01/26/07 |