



T&S BRASS AND BRONZE WORKS, INC.

2 SADDLEBACK COVE / P.O. BOX 1088 / TRAVELERS REST, SC 29690

PHONE 800-476-4103

FAX 864-834-3518



REG.#A2601
ISO #9002

Model No.

B-2371

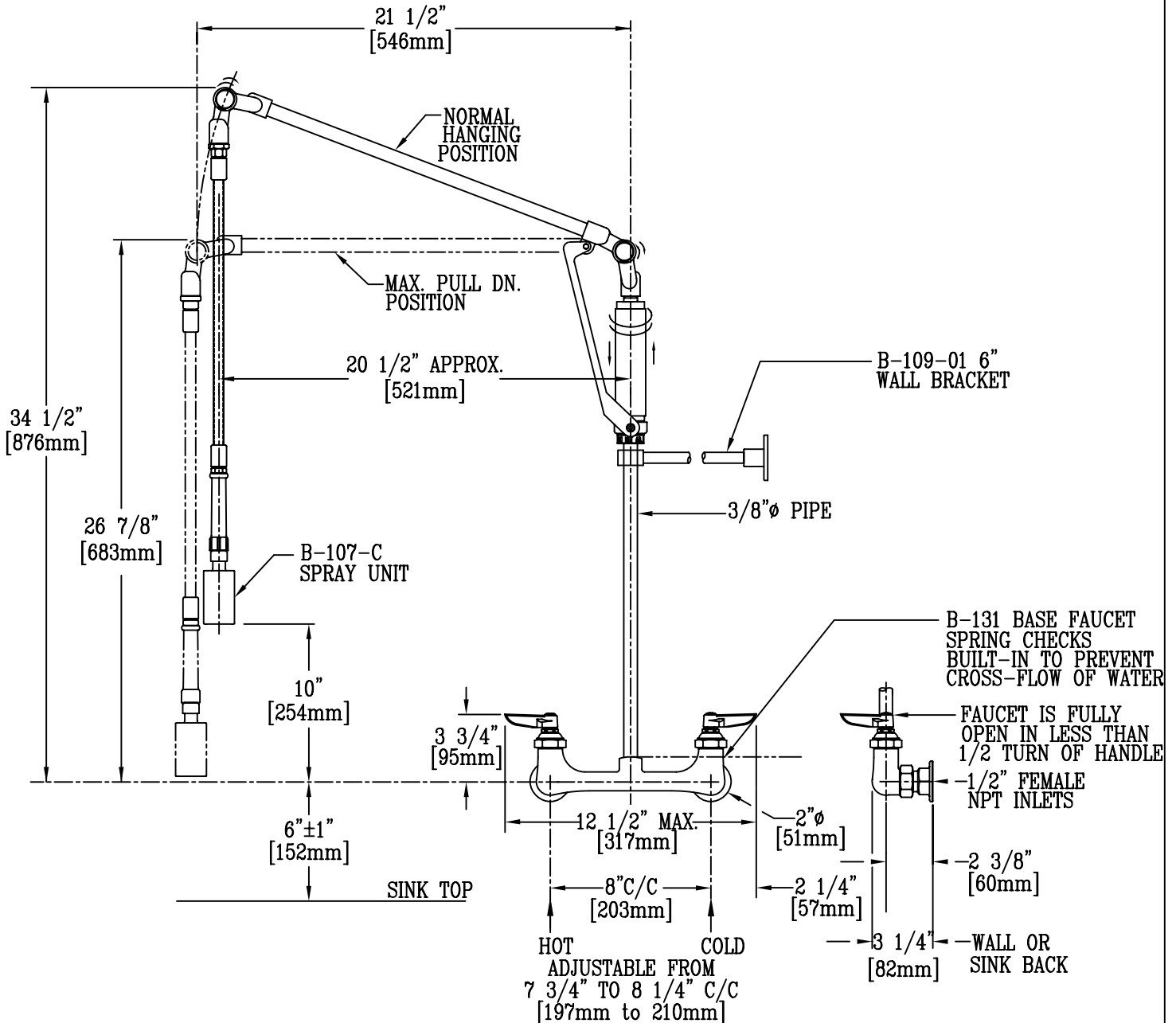
Item No.:

Job Name:

Architect/Engineer Approval:

Notes:

EPAct2005 COMPLIANT



NOTE: FOR BACKSPASH MOUNTING, RISER MUST BE SHORTENED TO MAINTAIN 10 3/4" [273mm] CLEARANCE BETWEEN SPRAY HEAD AND FIXTURE FLOOD RIM LEVEL.

Product Description:

PRE-RINSE UNIT ASSEMBLY WITH DIMENSION "S"=29" AND 8" CENTERS

Drawn:

DHL

Checked

WJS

Scale:

1.5"=1'

Approved

JHB

Date:

8/4/06