



T&S BRASS AND BRONZE WORKS, INC.
 2 SADDLEBACK COVE / P.O. BOX 1088 / TRAVELERS REST, SC 29690
 PHONE 800-476-4103 FAX 864- 834-3518



Model No.

B-2413

Item No.:

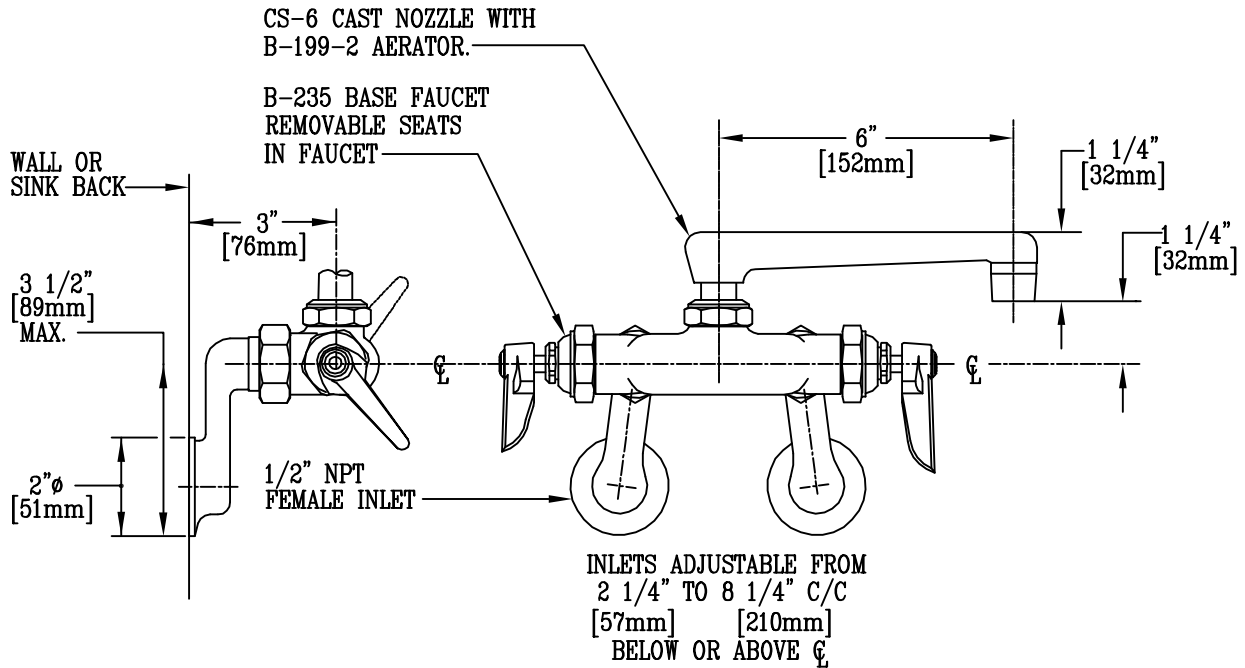
Job Name:

Architect/Engineer Approval:

Notes:



ADA COMPLIANT



Product Description:

B-235 BASE FAUCET WITH CS-6 NOZZLE

Drawn:

WJS

Checked

DMA

Scale:

3" = 1'

Approved

CA

Date:

4/28/97