



**T&S BRASS AND BRONZE WORKS, INC.**  
 2 SADDLEBACK COVE / P.O. BOX 1088 / TRAVELERS REST, SC 29690  
 PHONE 800-476-4103 - FAX 864- 834-3518



Model No.

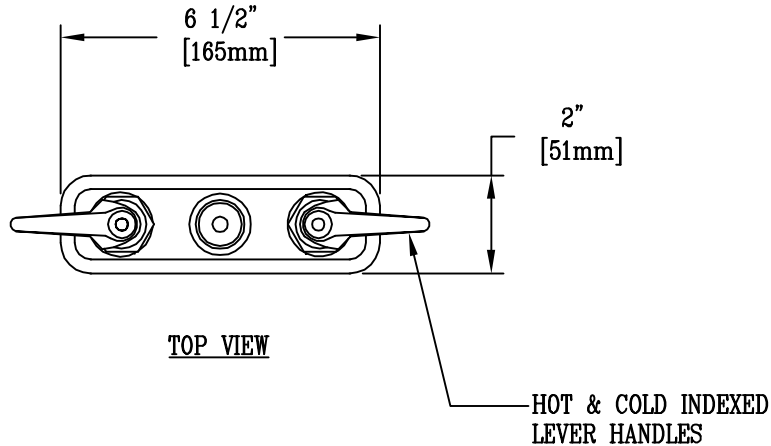
B-2436

**RELIABILITY  
 BUILT IN**

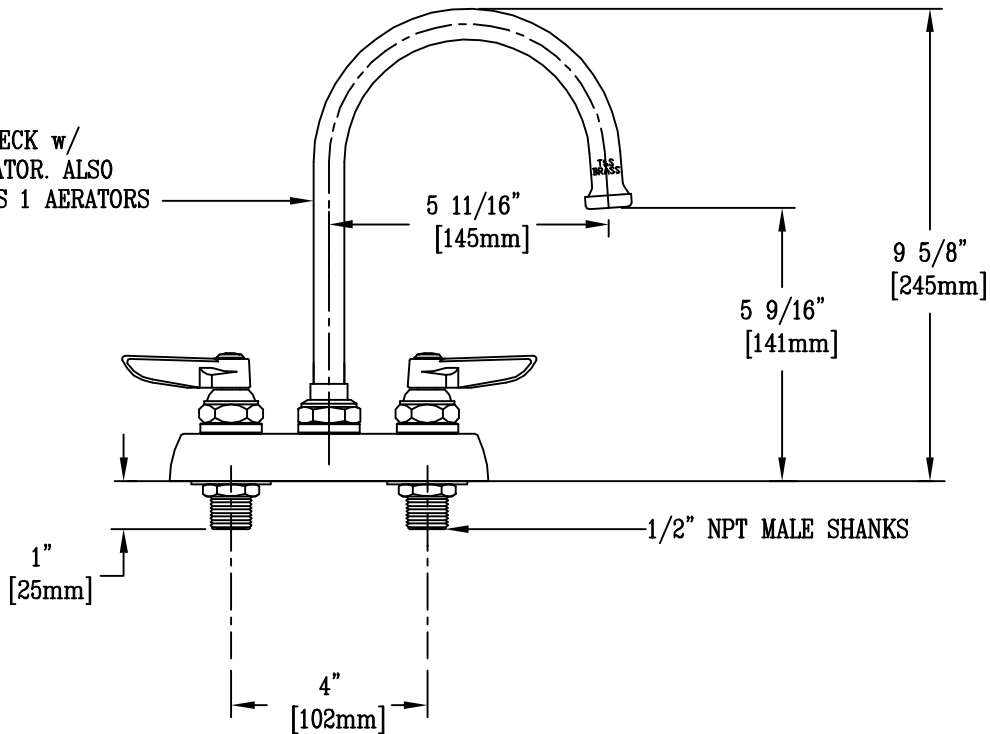
Job Name:

Architect/Engineer Approval:

Notes:



SWIVEL GOOSENECK w/  
STREAM REGULATOR. ALSO  
ACCEPTS SERIES 1 AERATORS



**FRONT VIEW**

Product Description:

WORKBOARD FAUCET WITH 1/2" NPT MALE SHANKS, 4" INLET CENTERS, SWIVEL GOOSENECK, LEVER HANDLES

Drawn:

WJS

Checked

JKD

Scale:

1 : 4

Approved

MVW

Date:

10-4-01