



**T&S BRASS AND BRONZE WORKS, INC.**  
 2 SADDLEBACK COVE / P.O. BOX 1088 / TRAVELERS REST, SC 29690  
 PHONE 800-476-4103 - FAX 864- 834-3518



Model No.

B-2452

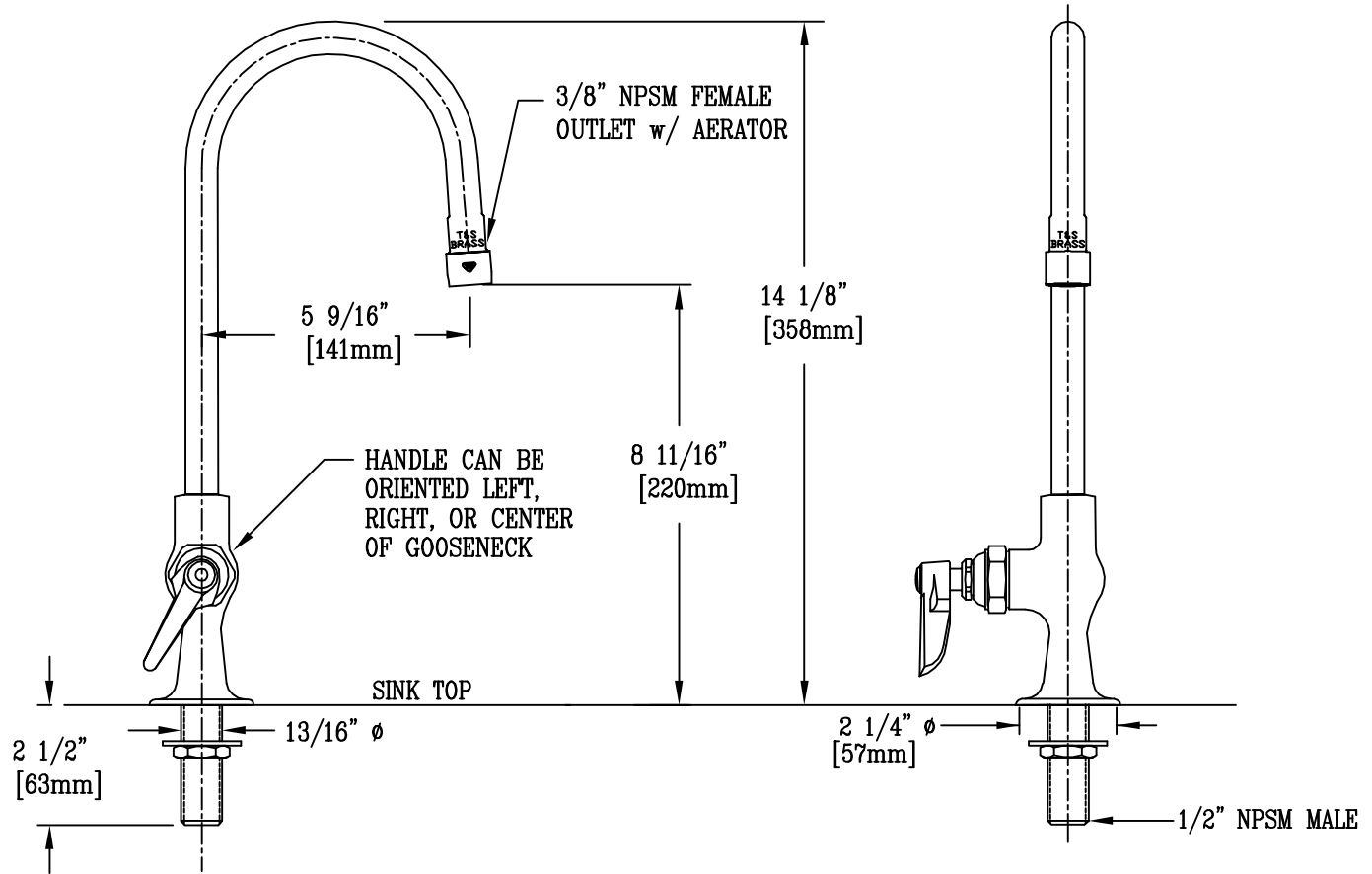
**RELIABILITY  
 BUILT IN**

REG.#A2601  
 ISO #9001

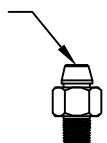
Job Name:

Architect/Engineer Approval:

Notes:



150A TAILPIECE  
 AND NUT FURNISHED  
 FOR OPTIONAL  
 1/4" NPT CONNECTION



**NSF STANDARD 61, SECTION 9 CERTIFIED**

Product Description:  
 SINGLE PANTRY FCT. WITH RIGID  
 GOOSENECK & AERATOR, LEVER  
 HANDLES, & 1/2" NPSM MALE SHANK

Drawn:

LEL

Approved

MVW

Checked

WJS

Scale:

1 : 4

Date:

8/21/02