



**T&S BRASS AND BRONZE WORKS, INC.**  
 2 SADDLEBACK COVE / P.O. BOX 1088 / TRAVELERS REST, SC 29690  
 PHONE 800-476-4103 - FAX 864- 834-3518



Model No.

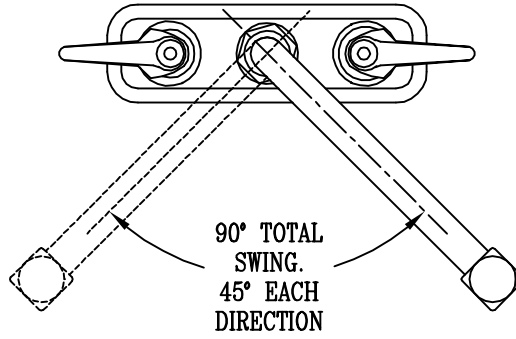
B-2471

RELIABILITY  
 BUILT IN

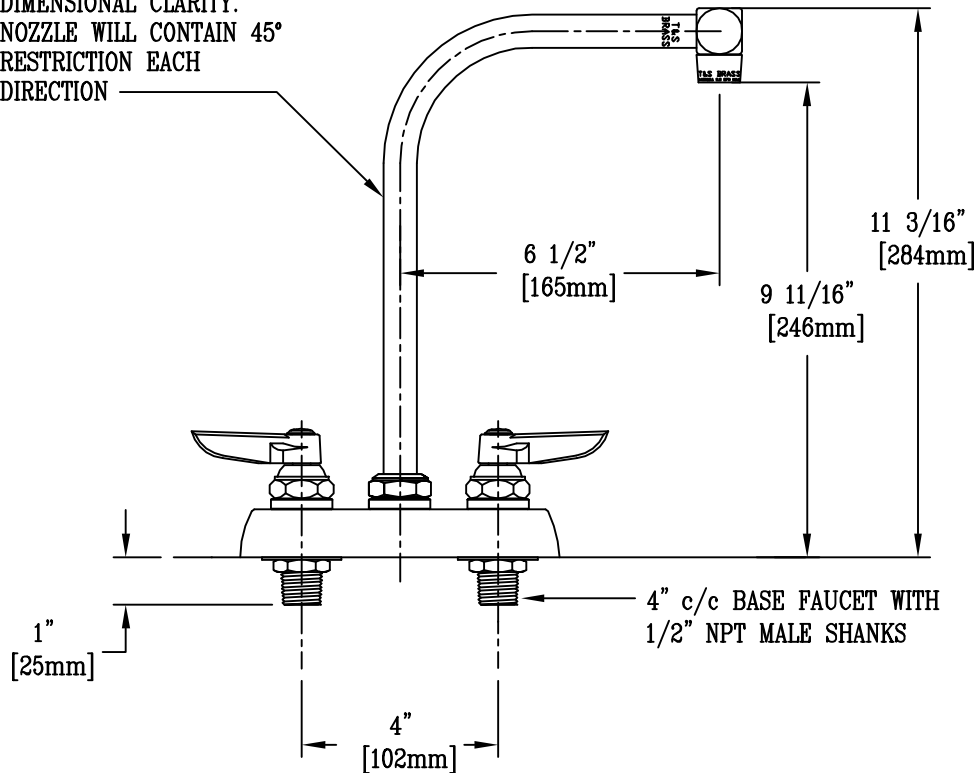
Job Name:

Architect/Engineer Approval:

Notes:



RESTRICTED SWING NOZZLE  
 SHOWN TURNED FOR  
 DIMENSIONAL CLARITY.  
 NOZZLE WILL CONTAIN 45°  
 RESTRICTION EACH  
 DIRECTION



Product Description: 4" c/c WORKBOARD STYLE MIXING FAUCET WITH 90 DEGREE RESTRICTED SWING NOZZLE	Drawn:	Checked:	Scale:
	WJS	JKD	1 : 4
	Approved:	Date:	
	JKD	05/29/02	