



T&S BRASS AND BRONZE WORKS, INC.
 2 SADDLEBACK COVE / P.O. BOX 1088 / TRAVELERS REST, SC 29690
 PHONE 800-476-4103 - FAX 864- 834-3518



Model No.

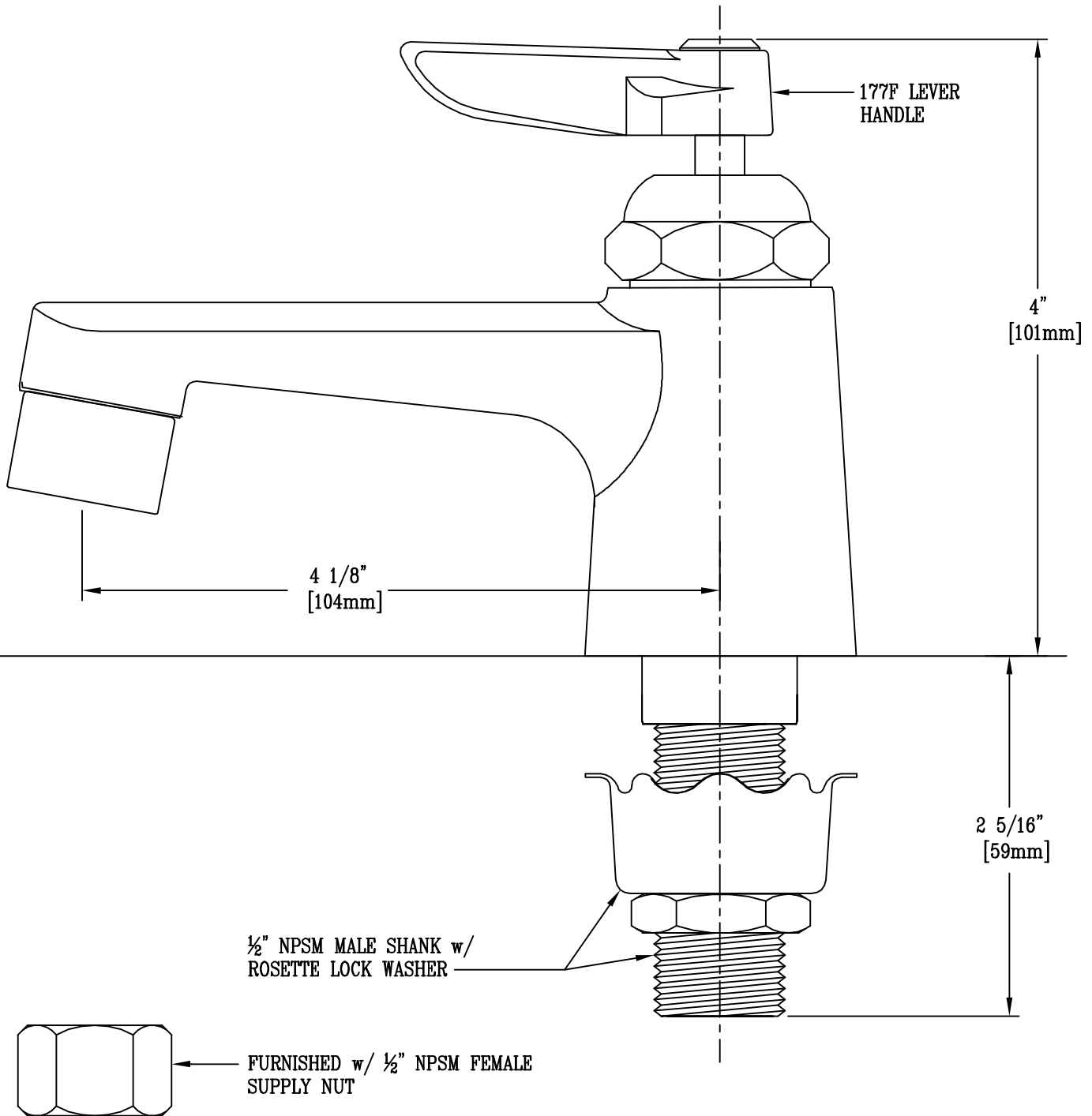
B-2473

**RELIABILITY
 BUILT IN**

Job Name:

Architect/Engineer Approval:

Notes:



Product Description:

4" SPREAD SINGLE HOLE FCT. w/ LEVER HANDLE & AERATOR

Drawn:

WJS

Approved

MVW

Checked

LEL

Scale:

1 : 1

Date:

5/29/03