



**T&S BRASS AND BRONZE WORKS, INC.**  
 2 SADDLEBACK COVE / P.O. BOX 1088 / TRAVELERS REST, SC 29690  
 PHONE 800-476-4103 - FAX 864- 834-3518



Model No.

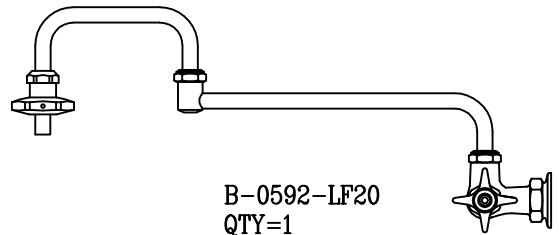
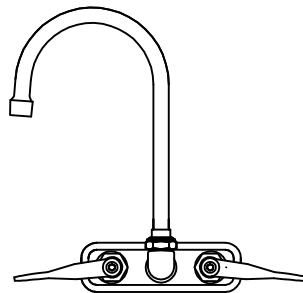
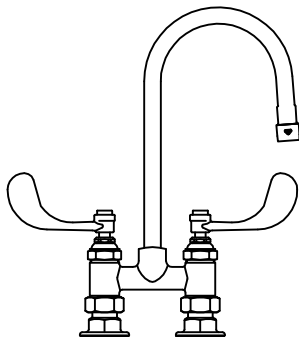
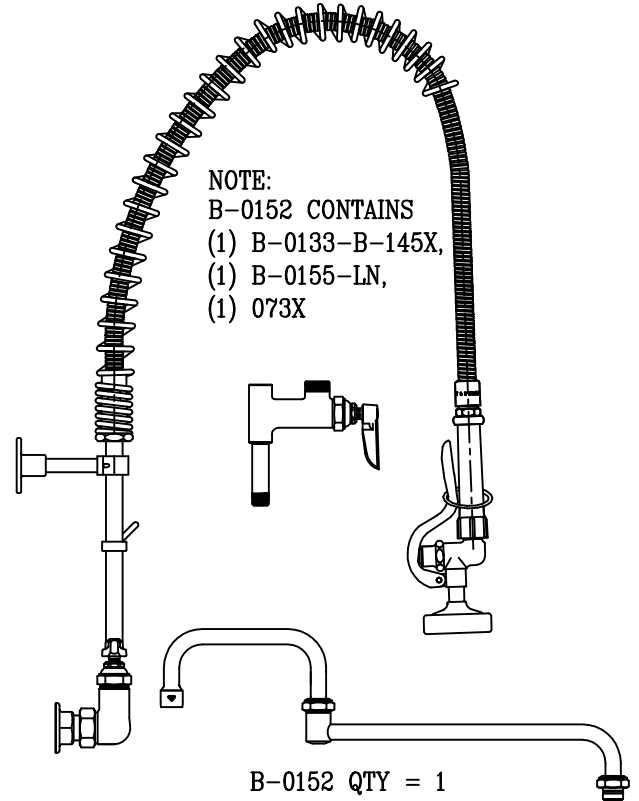
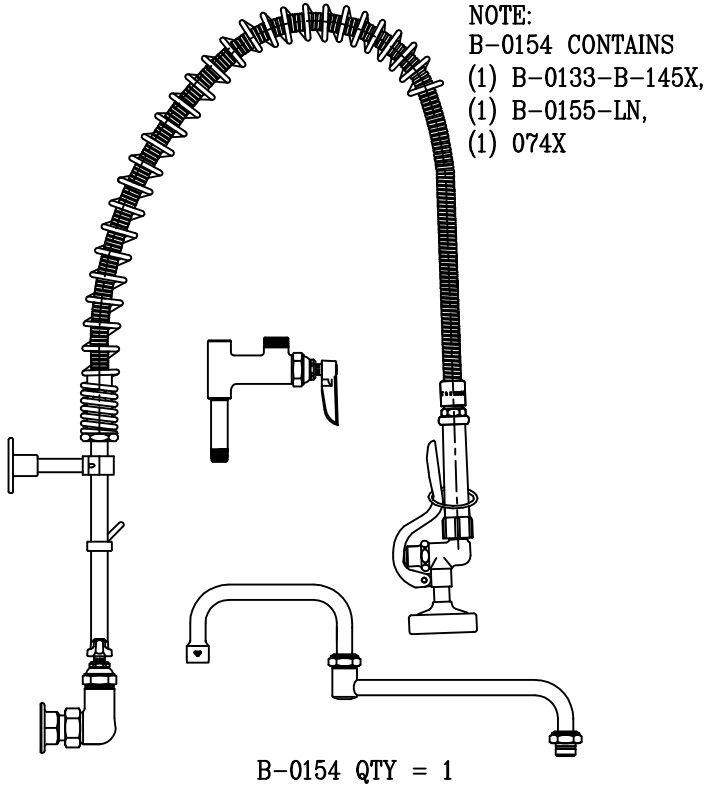
B-2495-3CPS

**RELIABILITY  
 BUILT IN**

Job Name:

Architect/Engineer Approval:

Notes:



Product Description:

RESTAURANT PACKAGE:

- (1) B-0152, (1) B-0154, (1) B-0328
- (2) B-1146-04, (1) B-0592-LF20

Drawn:

WJS

Checked:

GEF

Scale:

NTS

Approved

JHB

Date:

10/30/06