

T&S BRASS AND BRONZE WORKS, INC.
 2 SADDLEBACK COVE / P.O. BOX 1088 / TRAVELERS REST, SC 29690
 PHONE 800-476-4103 - FAX 864- 834-3518



Model No.

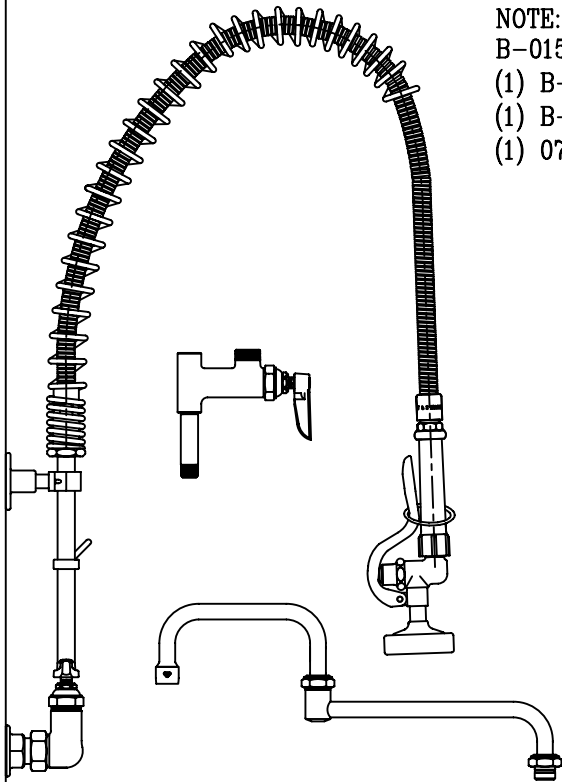
B-2495-4CPS-REM

**RELIABILITY
BUILT IN**

Job Name:

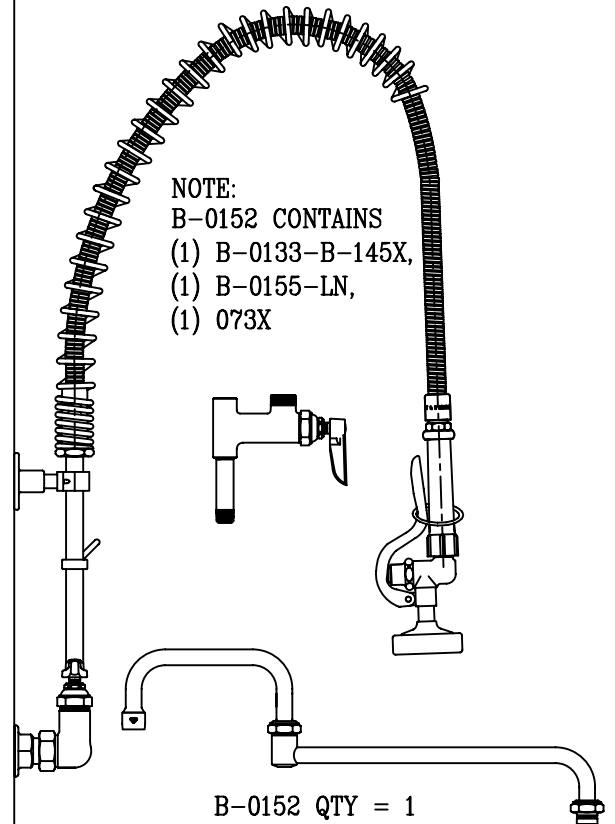
Architect/Engineer Approval:

Notes:



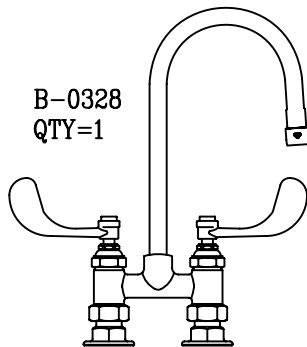
NOTE:
 B-0154 CONTAINS
 (1) B-0133-B-145X,
 (1) B-0155-LN,
 (1) 074X

B-0154 QTY = 1

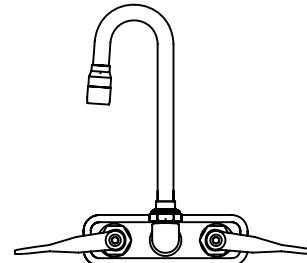


NOTE:
 B-0152 CONTAINS
 (1) B-0133-B-145X,
 (1) B-0155-LN,
 (1) 073X

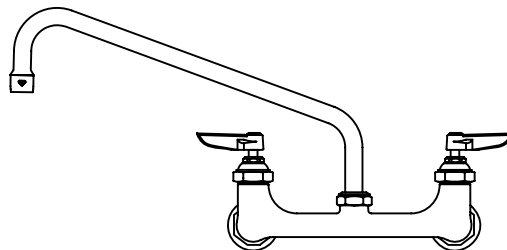
B-0152 QTY = 1



B-0328
QTY=1



B-1146-CFA
QTY=2



B-0230-02
QTY=1

Product Description:
 RESTAURANT REMODEL PACKAGE,
 (1) B-0152, (1) B-0154, (1) B-0230-02, (2) B-1146-CFA

Drawn: DHL	Checked JRM	Scale: NTS
Approved JHB		Date: 06/08/07