



**T&S BRASS AND BRONZE WORKS, INC.**  
 2 SADDLEBACK COVE / P.O. BOX 1088 / TRAVELERS REST, SC 29690  
 PHONE 800-476-4103 - FAX 864- 834-3518



Model No.

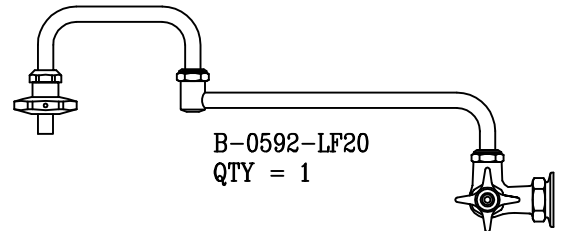
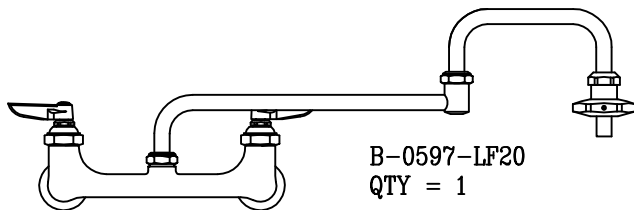
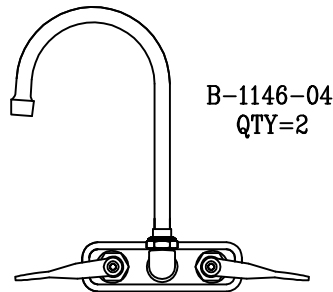
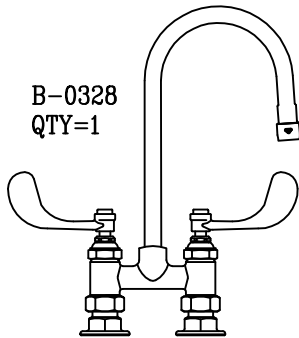
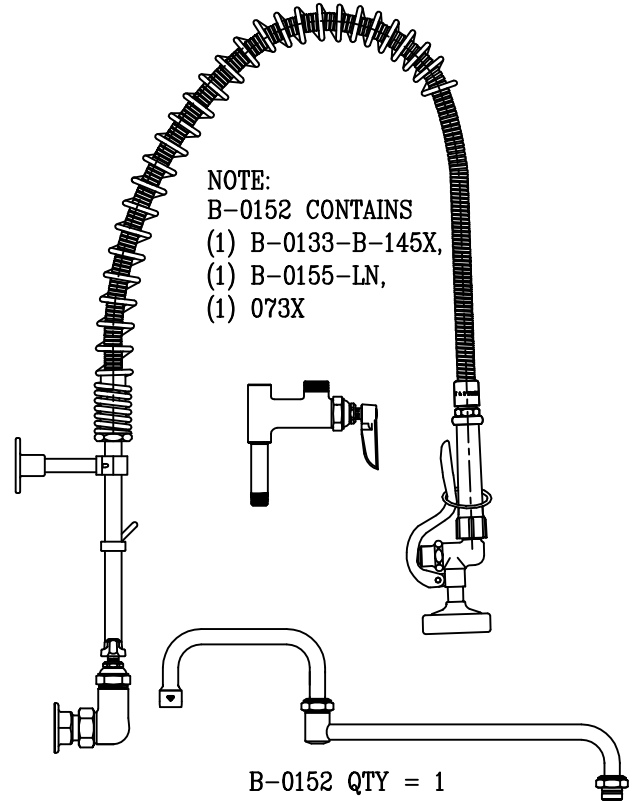
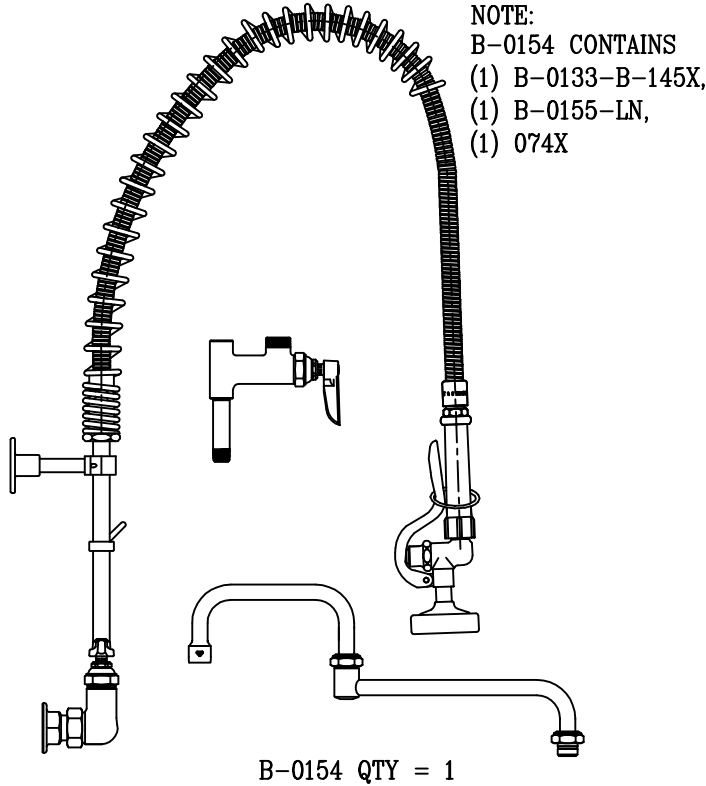
B-2495-4CPS

**RELIABILITY  
 BUILT IN**

Job Name:

Architect/Engineer Approval:

Notes:



Product Description:

RESTAURANT PACKAGE:

(1) B-0152, (1) B-0154, (2) B-1146-04,  
 (1) B-0597-LF20, (1) B-0592-LF20, (1) B-0328

Drawn:

WJS

Approved

JHB

Checked

GEF

Scale:

NTS

Date:

10/30/06