



T&S BRASS AND BRONZE WORKS, INC.
 2 SADDLEBACK COVE / P.O. BOX 1088 / TRAVELERS REST, SC 29690
 PHONE 800-476-4103 - FAX 864- 834-3518



Model No.

B-2496

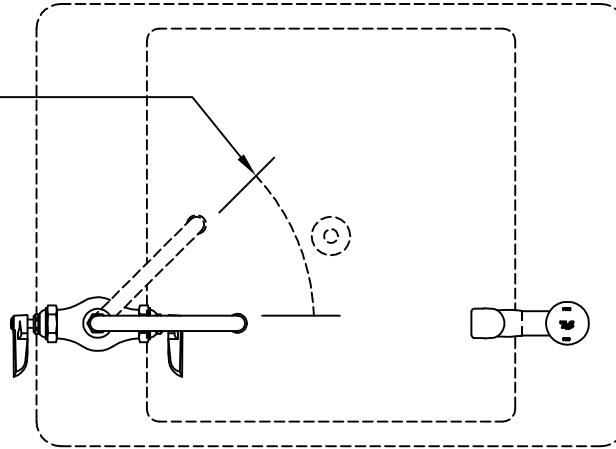
**RELIABILITY
 BUILT IN**

Job Name:

Architect/Engineer Approval:

Notes:

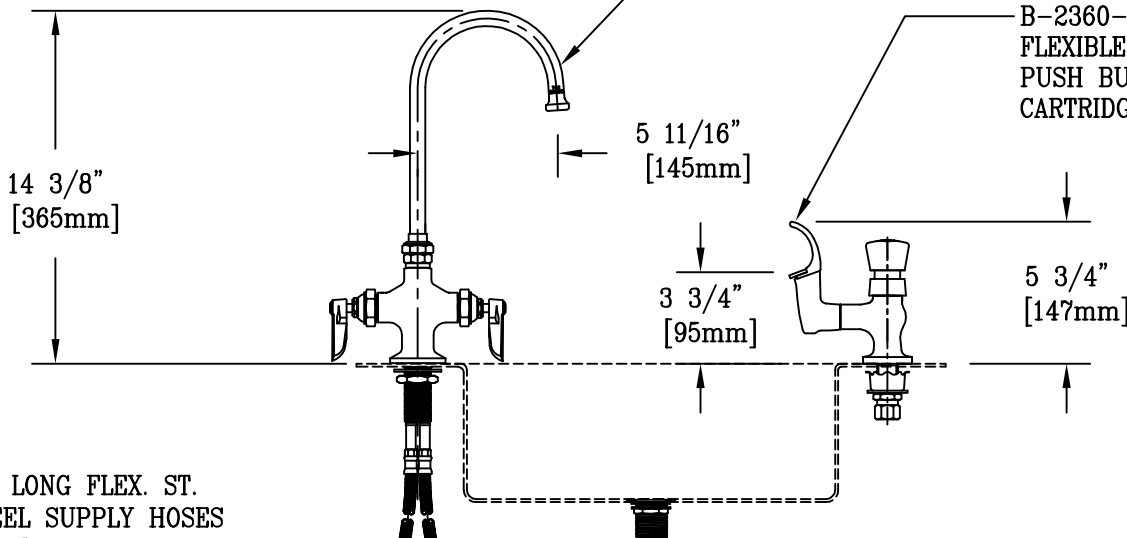
45° SWING RESTRICTION
 AS SHOWN. GOOSENECK
 CANNOT BE MOVED OUT
 OF THIS RANGE



SINK FURNISHED by
 OTHERS

SINGLE HOLE MIXING
 FAUCET WITH 45°
 RESTRICTED SWIVEL
 GOOSENECK

B-2360-01 BUBBLER w/
 FLEXIBLE MOUTH GUARD &
 PUSH BUTTON METERING
 CARTRIDGE



18" LONG FLEX. ST.
 STEEL SUPPLY HOSES
 FOR 5/8" OD COPPER
 TUBING, or REMOVE
 COMPRESSION NUTS
 FOR 1/2" NPSM MALE

Product Description:
 CLASSROOM PACKAGE:
 RESTRICTED SWING GOOSENECK FAUCET w/ B-2360-01 BUBBLER

Drawn:

WJS

Approved

JHB

Checked

JHB

Scale:

1:4

Date:

02/23/06