

T&S BRASS AND BRONZE WORKS, INC.
 2 SADDLEBACK COVE / P.O. BOX 1088 / TRAVELERS REST, SC 29690
 PHONE 800-476-4103 - FAX 864- 834-3518



REG.#A2601
 ISO #9001

Model No.

B-2497-PCB

**RELIABILITY
 BUILT IN**

Job Name:

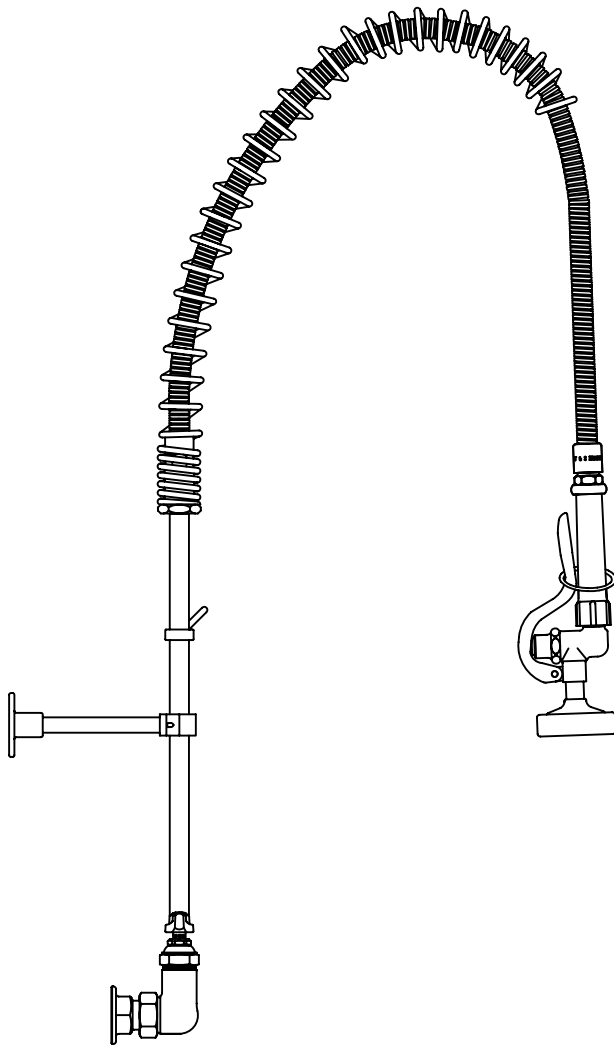
Architect/Engineer Approval:

Notes:

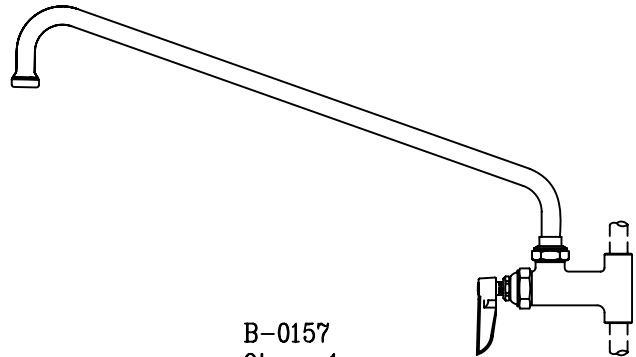


ADA Compliant

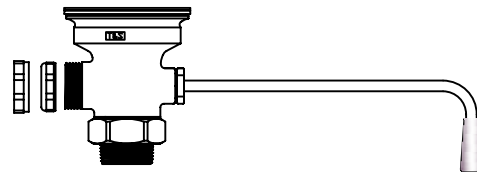
EPAAct2005 COMPLIANT



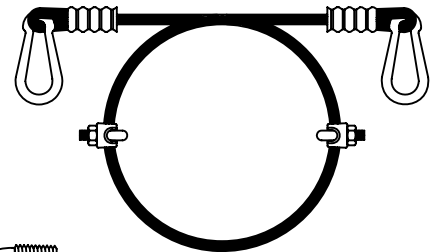
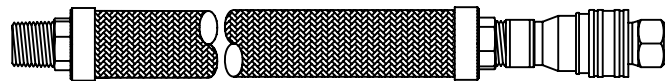
B-0133-B
 Qty = 1



B-0157
 Qty = 1



B-3950
 Qty = 3



HG-4F-48-RC
 Qty = 1

Product Description:

Restaurant Package:

(1) B-0133-B, (1) B-0157, (1) HG-4F-48-RC,
 (3) B-3950

Drawn:

DHL

Checked

JRM

Scale:

NTS

Approved

JHB

Date:

07/25/07