

T&S BRASS AND BRONZE WORKS, INC.

2 SADDLEBACK COVE / P.O. BOX 1088 / TRAVELERS REST, SC 29690

PHONE 800-476-4103

FAX 864-834-3518



REG.#A2601
ISO #9002

Model No.

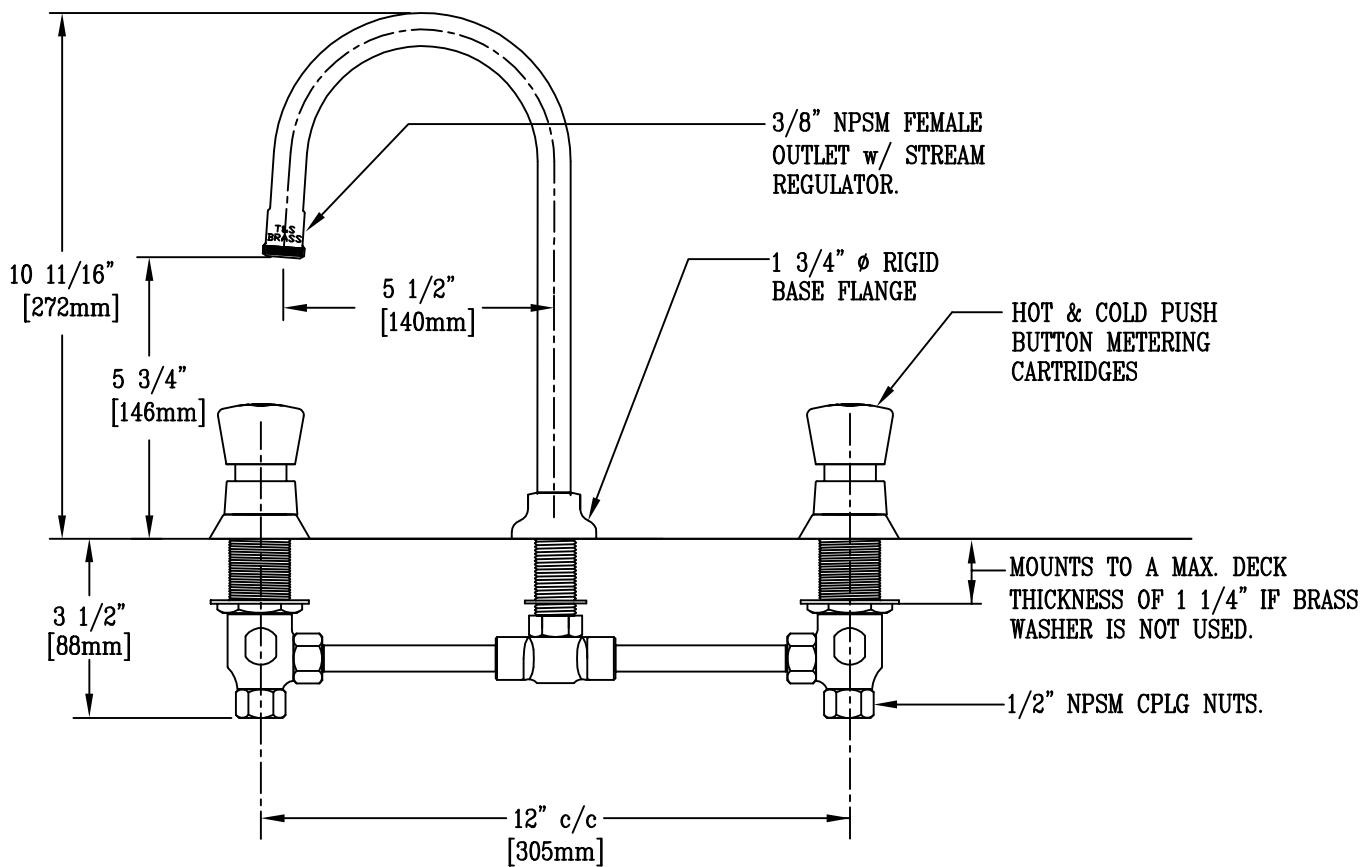
B-2820-L

Item No.:

Job Name:

Architect/Engineer Approval:

Notes:



NOTE: ROUGH-IN REQUIRED:
 $\phi 7/8$ FOR CENTER SHANK
 $\phi 1 1/4$ FOR HOT/COLD SIDE BODIES

FURNISHED w/
 SPANNER BIT



Product Description:

12" c/c DECK MOUNTED COMMERCIAL MIXING
 FAUCET w/ 120X RIGID GOOSENECK & STREAM REGULATOR,
 AND PUSH BUTTON METERING CARTRIDGES

Drawn:

DHL

Approved

JHB

Checked

WJS

Scale:

1 : 4

Date:

12/7/05