



**T&S BRASS AND BRONZE WORKS, INC.**

2 SADDLEBACK COVE / P.O. BOX 1088 / TRAVELERS REST, SC 29690

PHONE 800-476-4103

FAX 864-834-3518



REG. #A2601  
ISO #9002

Model No.

B-2865-L

Item No.:

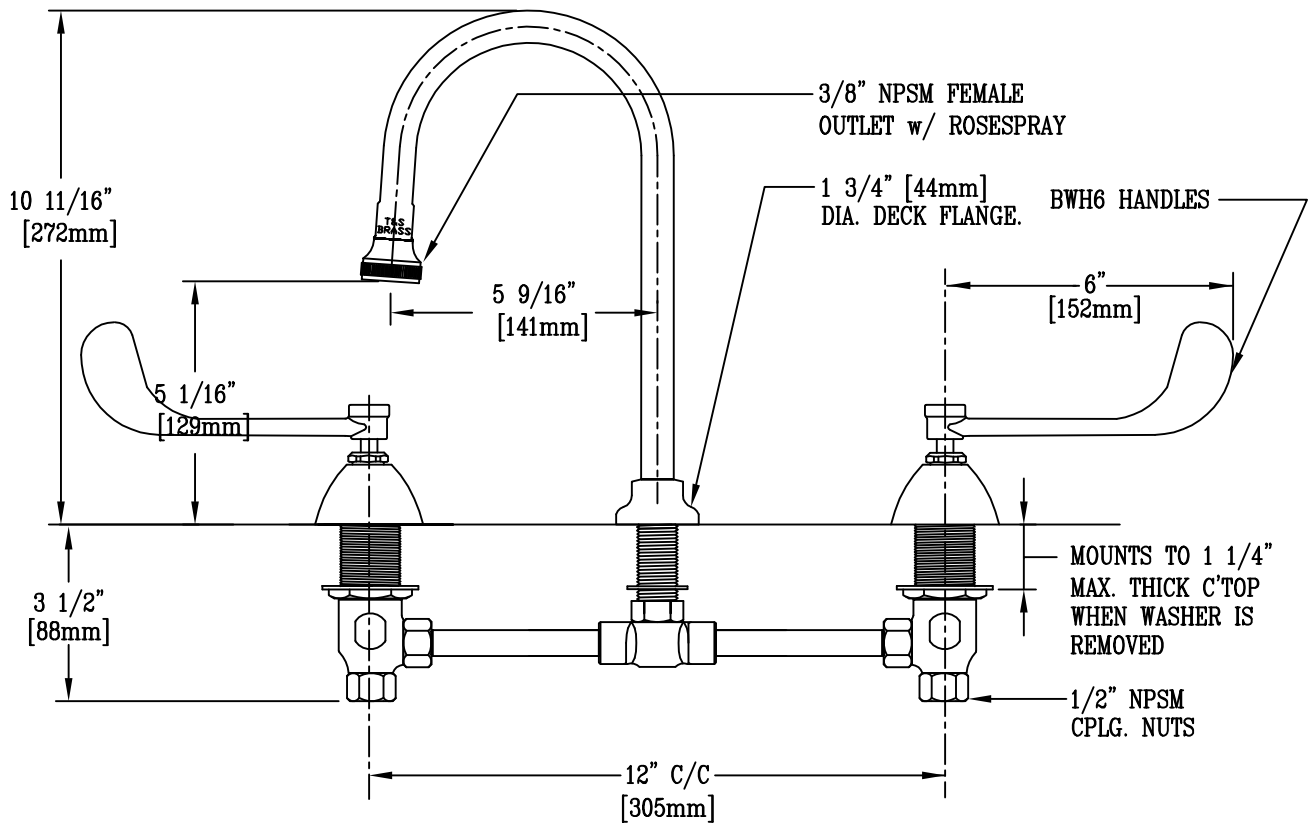
Job Name:

Architect/Engineer Approval:

Notes:



ADA COMPLIANT



NOTE: ROUGH-IN REQUIRED:  
 ø7/8 FOR CENTER SHANK  
 ø1 1/4 FOR HOT/COLD SIDE BODIES

NSF STANDARD 61, SECTION 9 CERTIFIED.

Product Description:

DECK MOUNTED COMMERCIAL FAUCET WITH RIGID GOOSENECK & ROSESPRAY, 4" WRIST ACTION HANDLES & 12" INLET CENTERS

Drawn:

TEH

Approved

MVW

Checked

LEL

Scale:

1 : 4

Date:

1/25/05