



T&S BRASS AND BRONZE WORKS, INC.

2 SADDLEBACK COVE / P.O. BOX 1088 / TRAVELERS REST, SC 29690

PHONE 800-476-4103

FAX 864- 834-3518



REG. #A2601  
ISO #9002

Model No.

B-2971

Item No.:

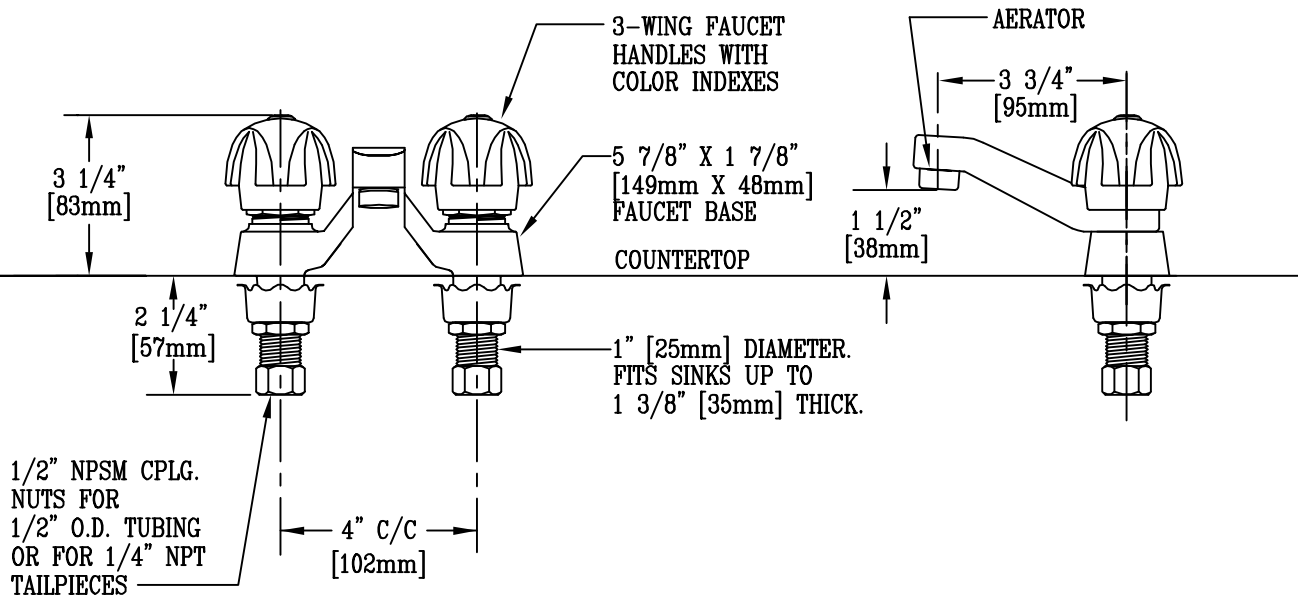
Job Name:

Architect/Engineer Approval:

Notes:



ADA COMPLIANT



**NSF STANDARD 61, SECTION 9 CERTIFIED**

Product Description:

CENTERSET COMMERCIAL FAUCET WITH CAST SPOUT, AERATOR, THREE WING HANDLES, & 8" INLET CENTERS

Drawn:

DMA

Approved

CA

Checked

WJS

Scale:

3"=1'

Date:

9/12/96