

T&S BRASS AND BRONZE WORKS, INC.

2 SADDLEBACK COVE / P.O. BOX 1088 / TRAVELERS REST, SC 29690

PHONE 800-476-4103

FAX 864-834-3518



REG.#A2601
ISO #9002

Model No.

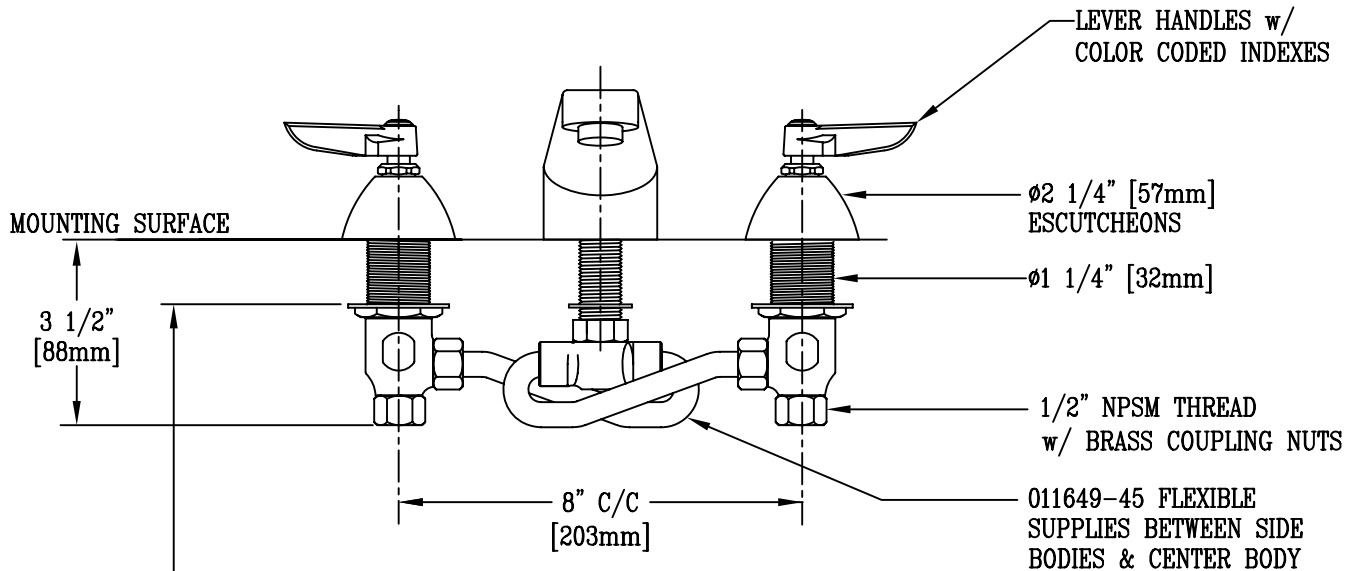
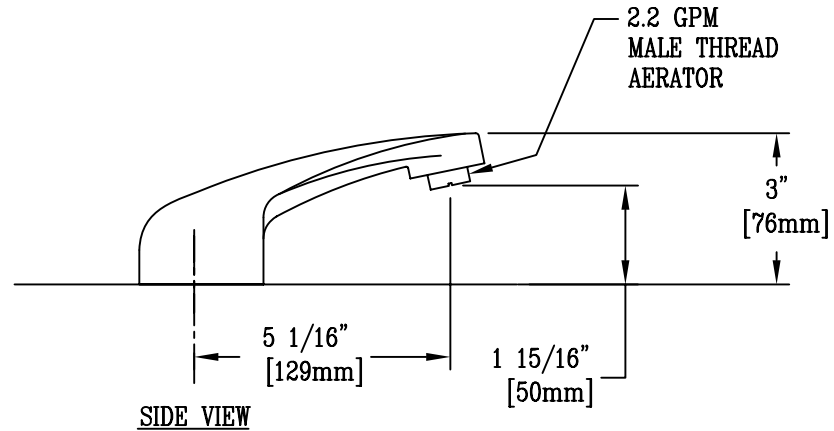
B-2990-FL

Item No.:

Job Name:

Architect/Engineer Approval:

Notes:



FITS SINK COUNTERS UP TO
1 1/8" [29mm] THICK OR
1 1/4" [32mm] THICK BY
REMOVING THE WASHER

NOTE: ROUGH-IN REQUIREMENTS
CENTER SHANK: ø1" [ø25mm] HOLE
HOT/COLD BODIES: ø1 1/2 [ø38mm] HOLE
(ø1 1/4" [ø32mm] MINIMUM)

Product Description:
8" c/c DECK MOUNTED COMMERCIAL MIXING FCT.
w/ FLEXIBLE SUPPLIES, 5" CAST SPOUT,
LEVER HANDLES & 2.2 GPM AERATOR OUTLET

Drawn:	Checked:	Scale:
DMH	DHL	1 : 4
Approved:	Date:	
JHB	3/26/08	