



T&S BRASS AND BRONZE WORKS, INC.

2 SADDLEBACK COVE / P.O. BOX 1088 / TRAVELERS REST, SC 29690

PHONE 800-476-4103

FAX 864-834-3518



REG. #A2601
ISO #9002

Model No.

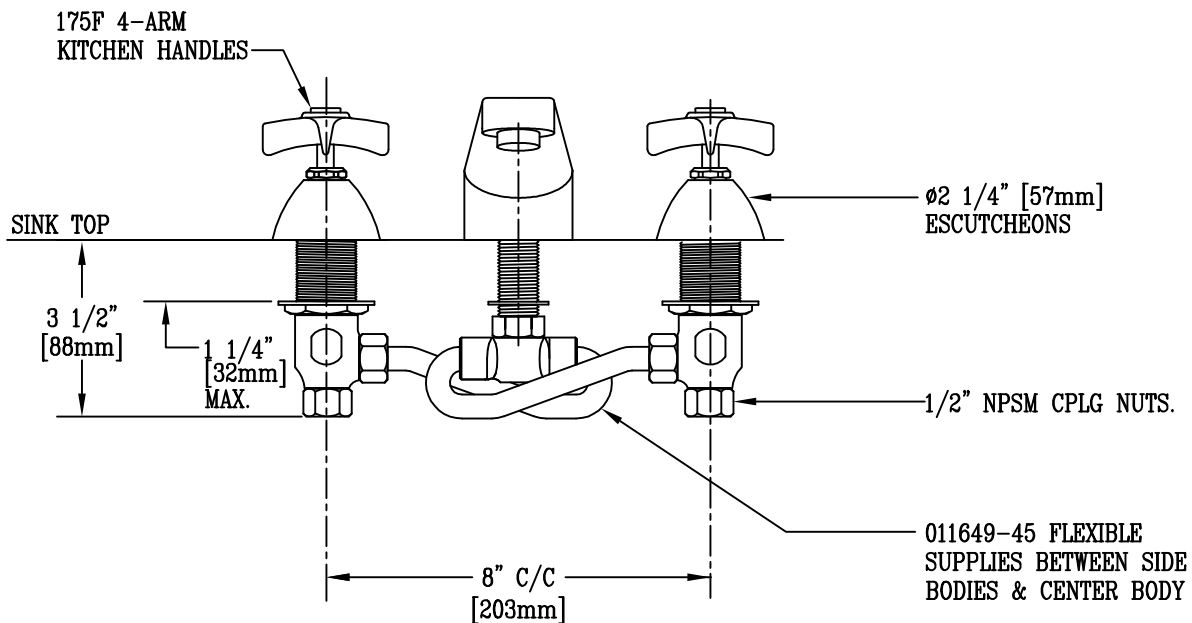
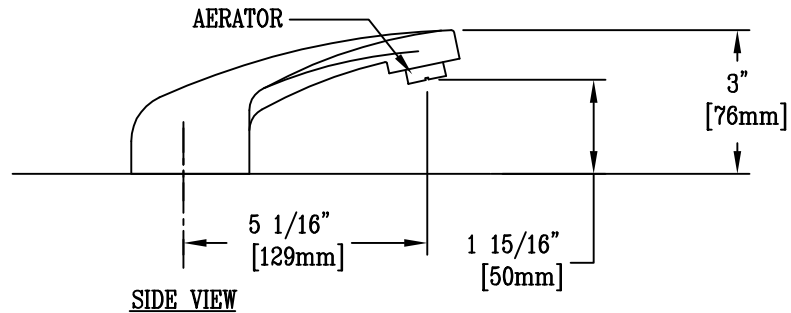
B-2990-FL175F

Item No.:

Job Name:

Architect/Engineer Approval:

Notes:



NOTE: ROUGH-IN REQUIRED:

$\phi 7/8$ FOR CENTER SHANK

$\phi 1 \frac{1}{4}$ FOR HOT/COLD SIDE BODIES

Product Description:

8" c/c DECK MOUNTED MIXING FCT. w/
FLEXIBLE SUPPLIES, 5" CAST SPOUT w/ AERATOR,
175 4-ARM HANDLES

Drawn:

TEH

Checked

LEL

Scale:

1 : 4

Approved

MVW

Date:

1/25/05