



**T&S BRASS AND BRONZE WORKS, INC.**

2 SADDLEBACK COVE / P.O. BOX 1088 / TRAVELERS REST, SC 29690

PHONE 800-476-4103

FAX 864-834-3518



REG. #A2601  
ISO #9002

Model No.

B-2990-SF

Item No.:

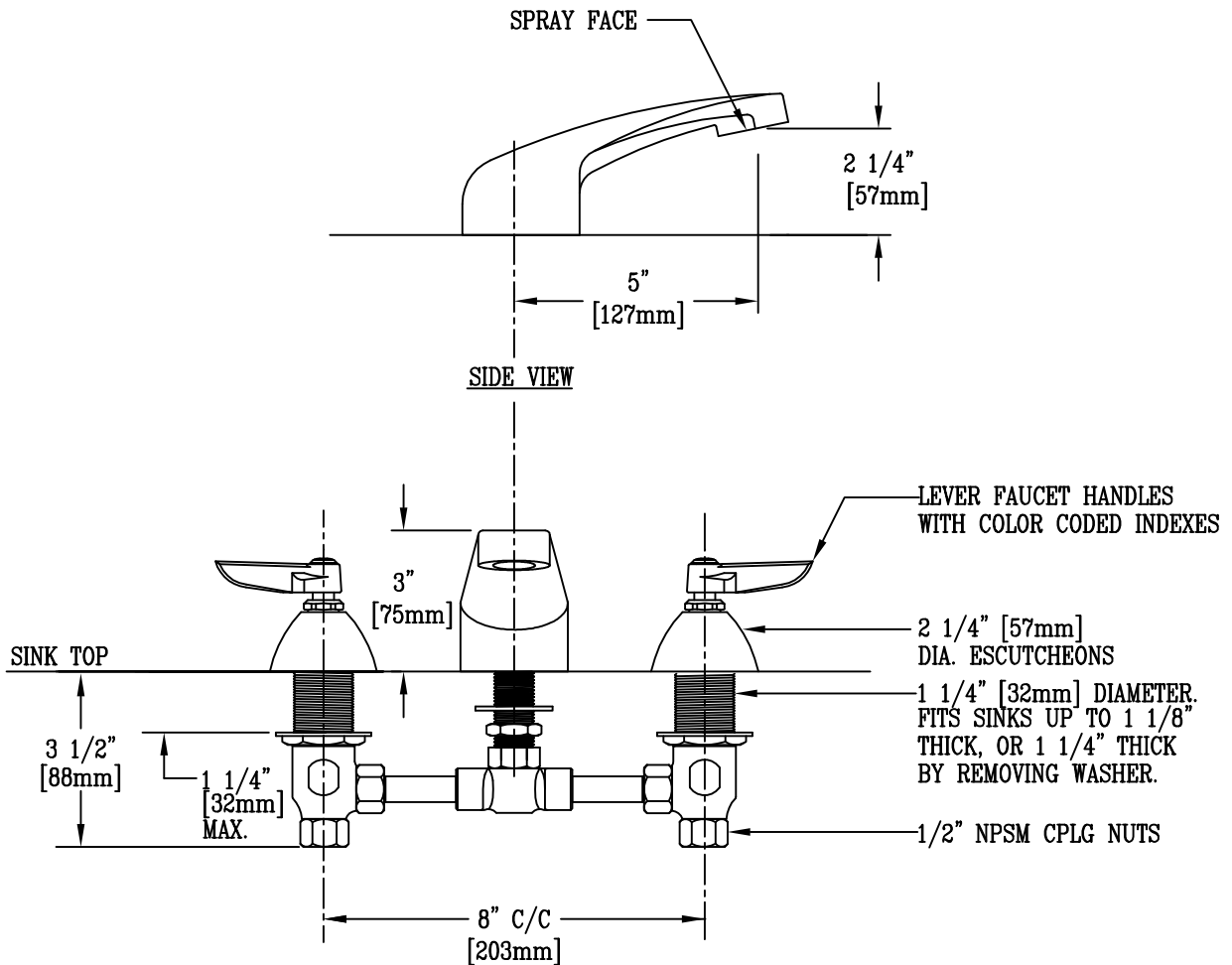
Job Name:

Architect/Engineer Approval:

Notes:



ADA COMPLIANT



**NOTE: ROUGH-IN REQUIRED:**  
 $\phi 7/8$  FOR CENTER SHANK  
 $\phi 1 1/4$  FOR HOT/COLD SIDE BODIES

**NSF STANDARD 61, SECTION 9 CERTIFIED**

Product Description:

DECK MOUNTED COMMERCIAL FAUCET WITH  
 CAST SPOUT, SPRAY FACE, LEVER HANDLES,  
 & 8" INLET CENTERS

Drawn:

TEH

Checked

LEL

Scale:

1 : 4

Approved

MVW

Date:

1/25/05