



T&S BRASS AND BRONZE WORKS, INC.

2 SADDLEBACK COVE / P.O. BOX 1088 / TRAVELERS REST, SC 29690

PHONE 800-476-4103

FAX 864-834-3518



REG.#A2601
ISO #9002

Model No.

B-2992-SF

Item No.:

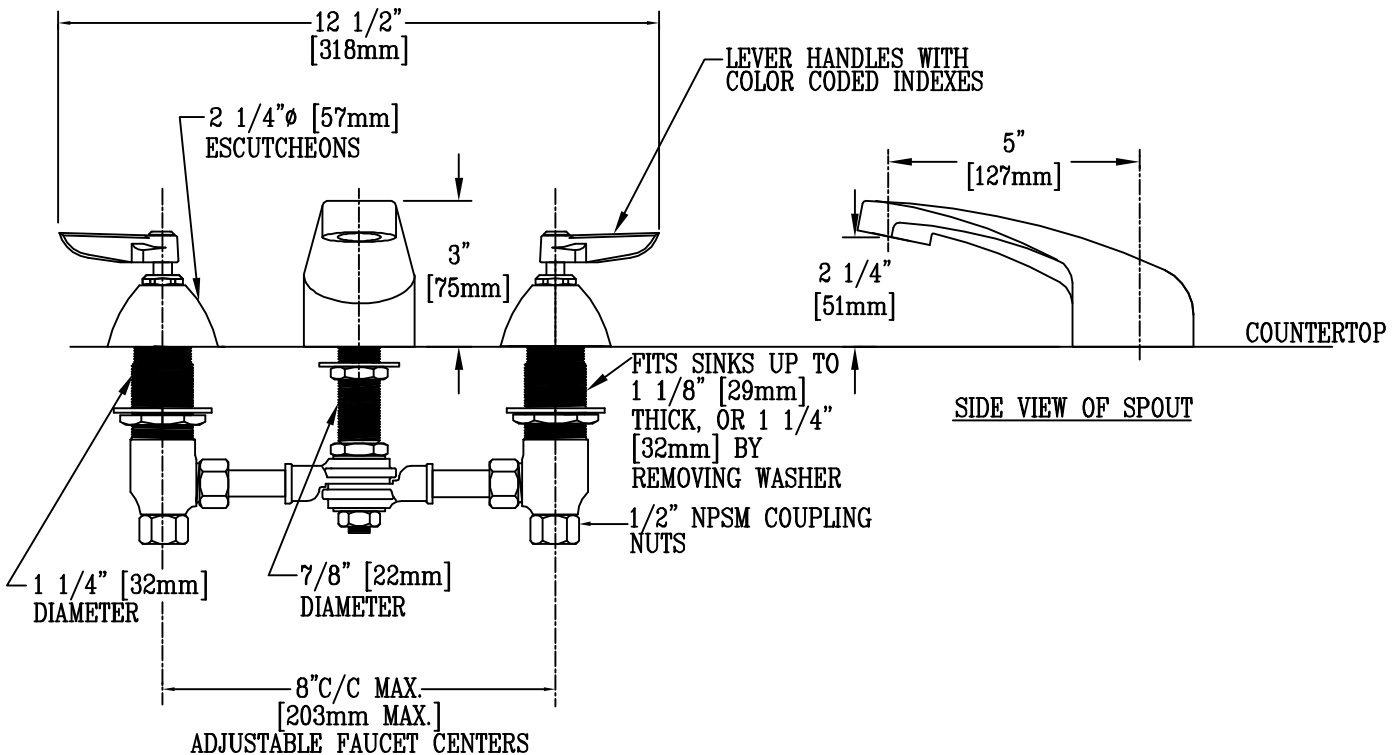
Job Name:

Architect/Engineer Approval:

Notes:



ADA COMPLIANT



NSF STANDARD 61, SECTION 9 CERTIFIED

Product Description:
DECK MOUNTED MIXING FAUCET WITH
ADJUSTABLE INLET CENTERS, LEVER HANDLES,
AND CAST SPOUT WITH SPRAY FACE

Drawn:

JKD

Checked

WJS

Scale:

3" = 1'

Approved

MVW

Date:

9-21-01