



T&S BRASS AND BRONZE WORKS, INC.
 2 SADDLEBACK COVE / P.O. BOX 1088 / TRAVELERS REST, SC 29690
 PHONE 800-476-4103 FAX 864-834-3518



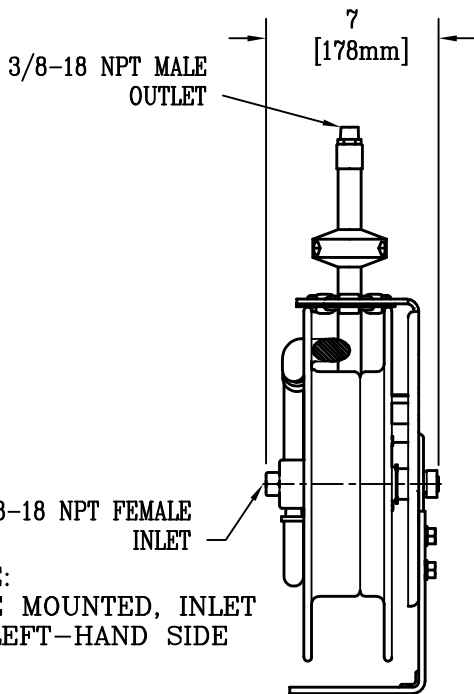
Model No.
B-7132-02
 Item No.:

Job Name:

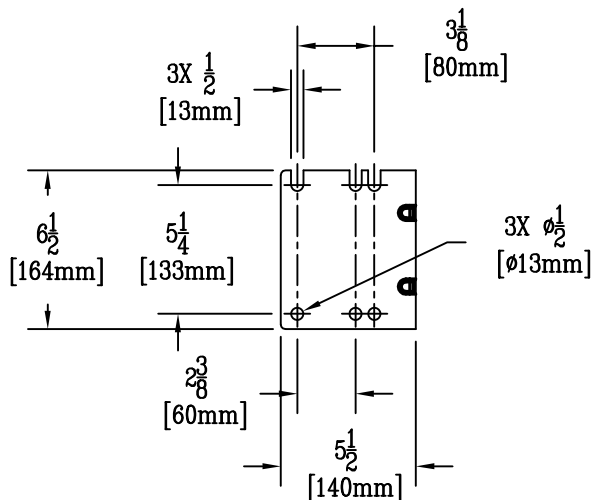
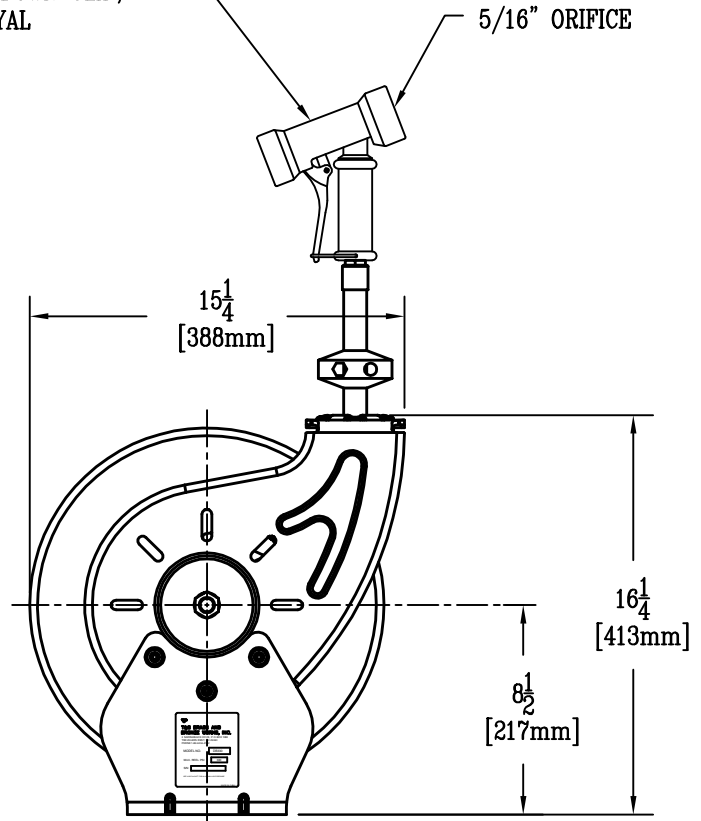
Architect/Engineer Approval:

Notes:

**MV-2516-24 REAR TRIGGER STYLE GUN
 WITH RETRACTABLE HOLD DOWN CLIP,
 STAINLESS STEEL AND ROYAL
 BLUE RUBBER COVER**



**NOTE:
 ONCE MOUNTED, INLET
 ON LEFT-HAND SIDE**



Product Description:
 HOSEREEL, OPEN, STAINLESS STEEL
 35 FT OF 3/8 DIA. BLUE HOSE AND
 MV-2516-24 REAR TRIGGER, 5/16" SPRAY GUN

Drawn: JRM	Checked JHB	Scale: 1 : 8
Approved JHB	Date: 6/9/05	