



T&S BRASS AND BRONZE WORKS, INC.

2 SADDLEBACK COVE / P.O. BOX 1088 / TRAVELERS REST, SC 29690

PHONE 800-476-4103

FAX 864-834-3518



REG.#A2601  
ISO #9001

B-7142-02

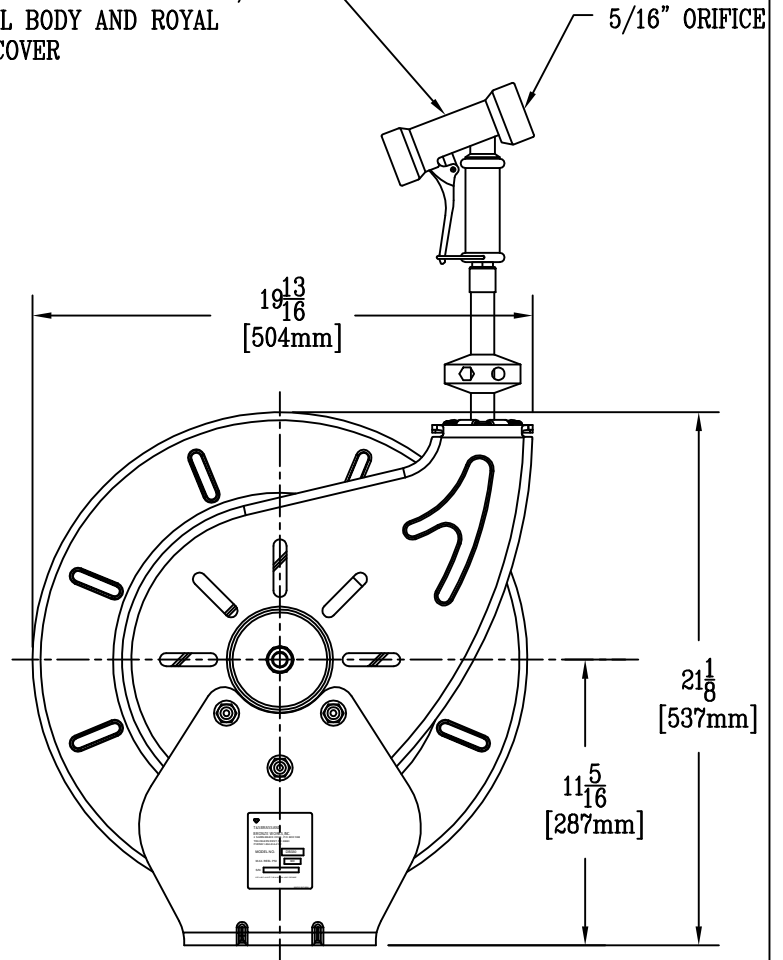
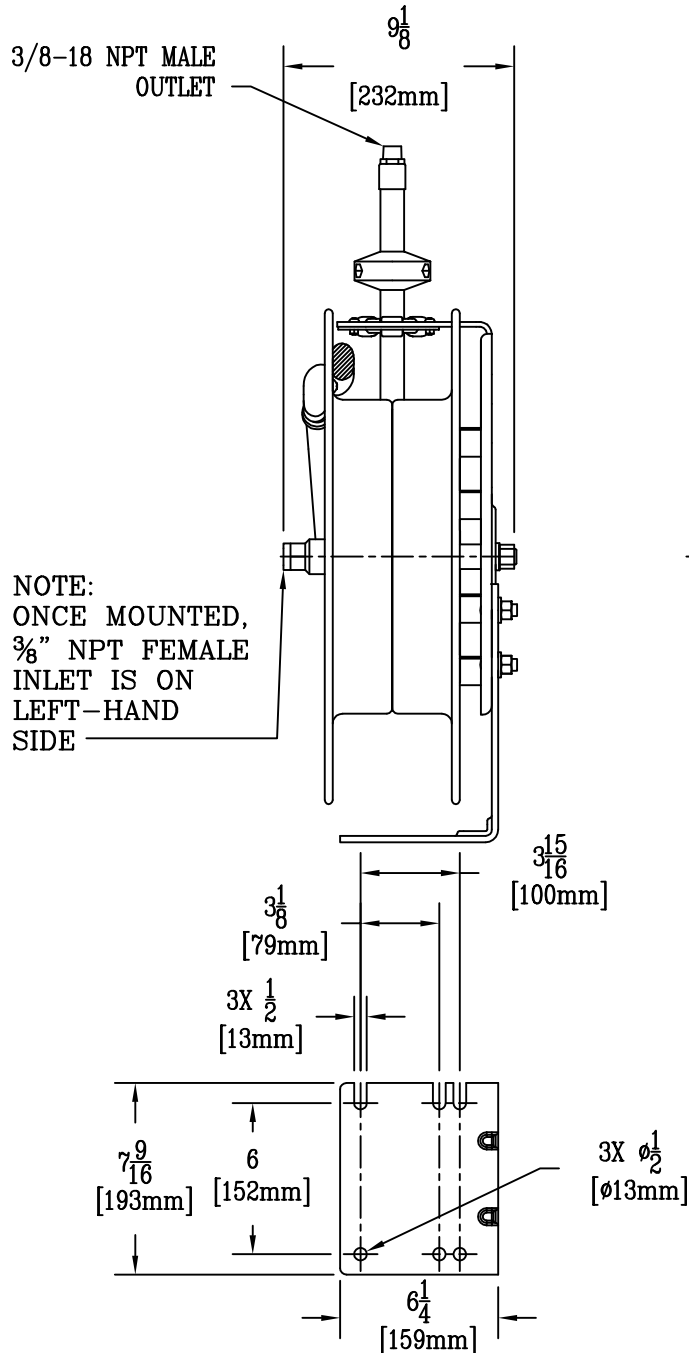
Item No.:

Job Name:

Architect/Engineer Approval:

Notes:

MV-2516-24 REAR TRIGGER STYLE GUN  
WITH RETRACTABLE HOLD DOWN CLIP,  
STAINLESS STEEL BODY AND ROYAL  
BLUE RUBBER COVER



Product Description:  
HOSEREEL, OPEN, STAINLESS STEEL  
50 FT OF 3/8 DIA. BLUE HOSE AND  
MV-2516-24 REAR TRIGGER, 5/16" SPRAY GUN

Drawn: JRM	Checked: JHB	Scale: 1 : 8
Approved: JHB	Date: 6/9/05	