



T&S BRASS AND BRONZE WORKS, INC.

2 SADDLEBACK COVE / P.O. BOX 1088 / TRAVELERS REST, SC 29690

PHONE 800-476-4103

FAX 864-834-3518



REG.#A2601
ISO #9001

Model No.

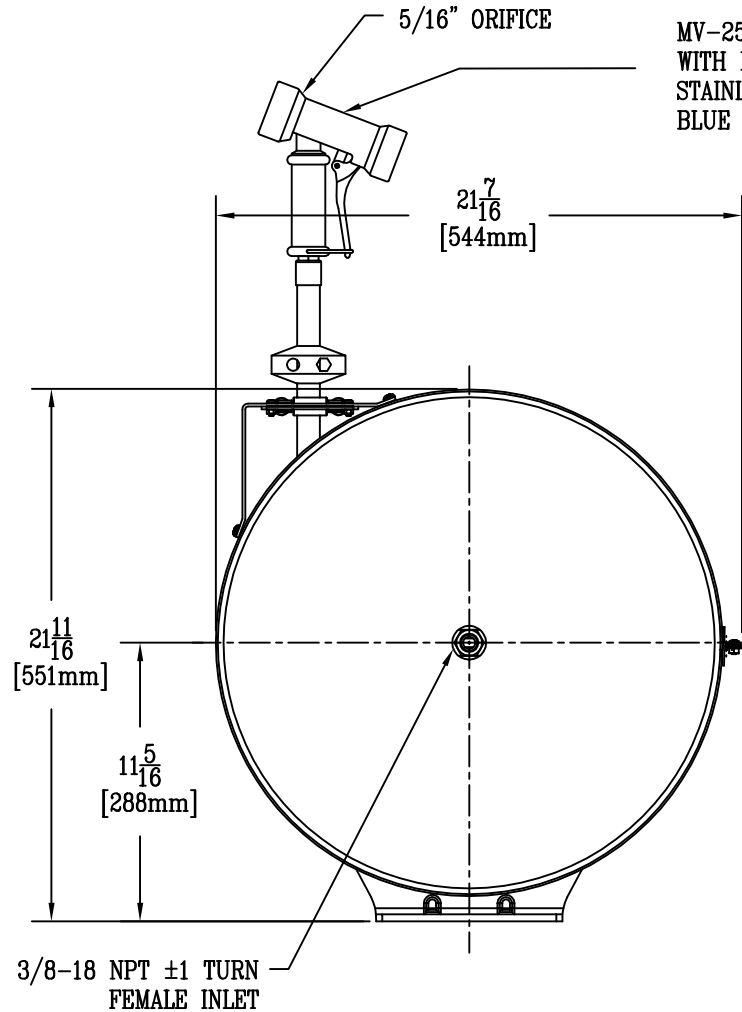
B-7142-C02

Item No.:

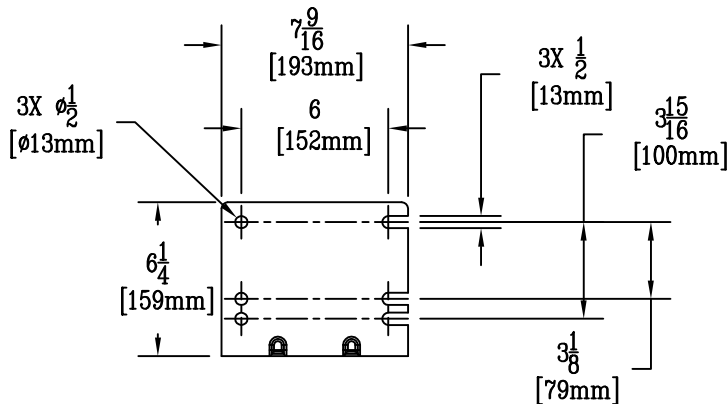
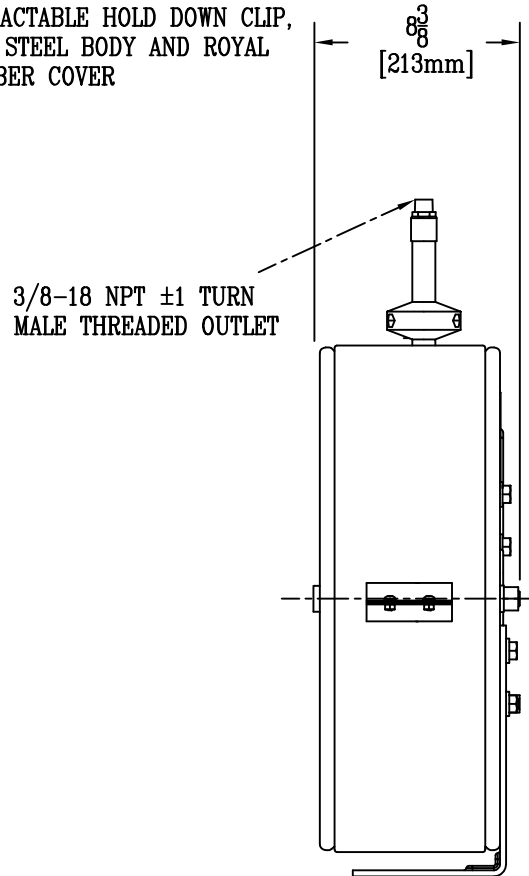
Job Name:

Architect/Engineer Approval:

Notes:



MV-2516-24 REAR TRIGGER STYLE GUN
WITH RETRACTABLE HOLD DOWN CLIP,
STAINLESS STEEL BODY AND ROYAL
BLUE RUBBER COVER



NOTE:
ONCE MOUNTED, INLET
ON LEFT-HAND SIDE

Product Description:
HOSEREEL, CLOSED, STAINLESS STEEL
50 FT OF 3/8 DIA. BLUE HOSE AND
MV-2516-24 REAR TRIGGER, 5/16" SPRAY GUN

Drawn:

JRM

Approved

JHB

Checked

JHB

Scale:

1 : 8

Date:

8/22/05