



**T&S BRASS AND BRONZE WORKS, INC.**  
 2 SADDLEBACK COVE / P.O. BOX 1088 / TRAVELERS REST, SC 29690  
 PHONE 800-476-4103 FAX 864-834-3518



Model No.

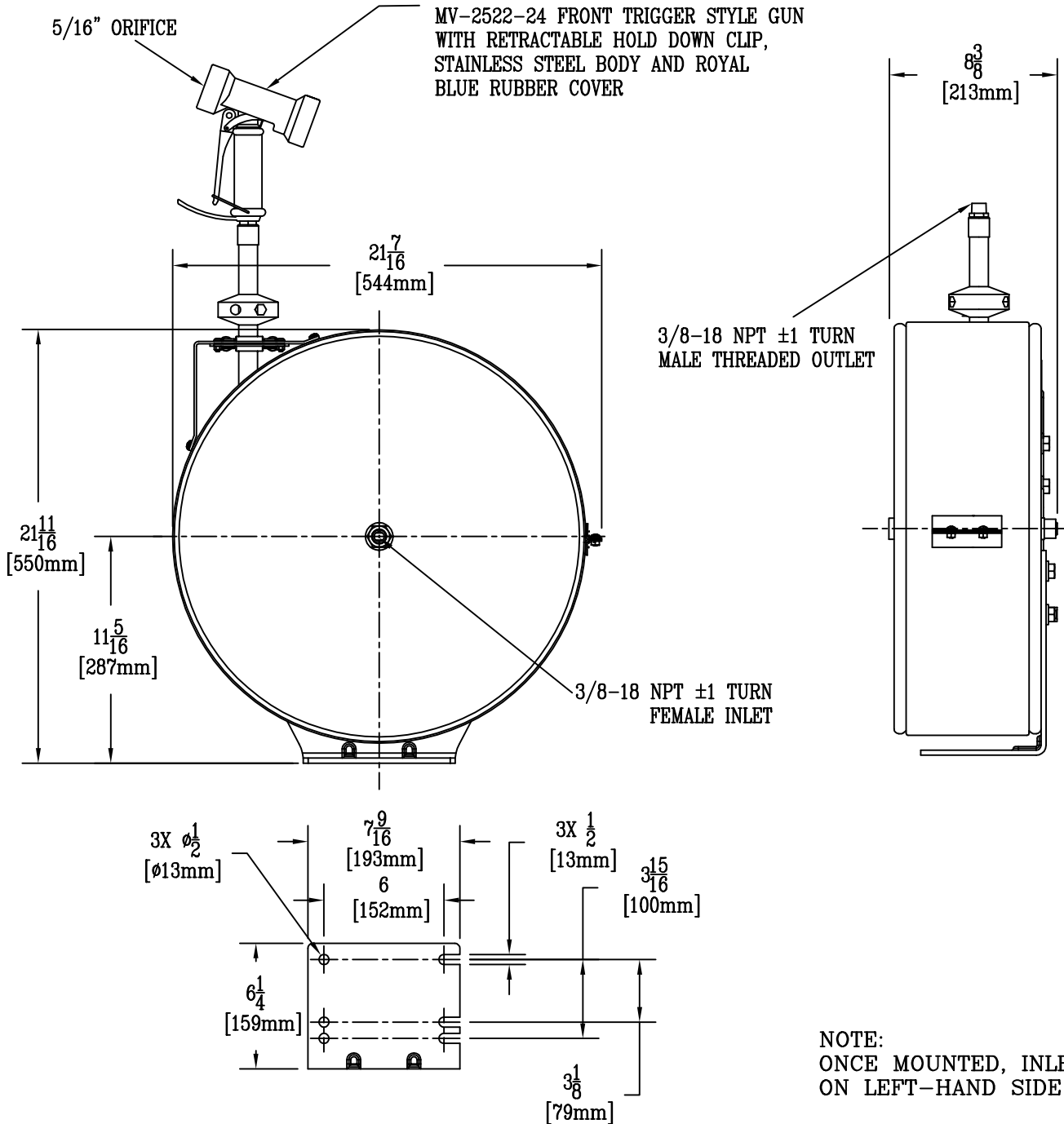
B-7142-C05

Item No.:

Job Name:

Architect/Engineer Approval:

Notes:



Product Description:  
 HOSEREEL, CLOSED, STAINLESS STEEL  
 50 FT OF 3/8 DIA. BLUE HOSE AND  
 MV-2522-24 FRONT TRIGGER, 5/16" SPRAY GUN

Drawn:

JRM

Checked

JHB

Scale:

1:8

Approved

JHB

Date:

8/22/05