



T&S BRASS AND BRONZE WORKS, INC.
 2 SADDLEBACK COVE / P.O. BOX 1088 / TRAVELERS REST, SC 29690
 PHONE 800-476-4103 FAX 864- 834-3518



Model No.

B-7143-02

Item No.:

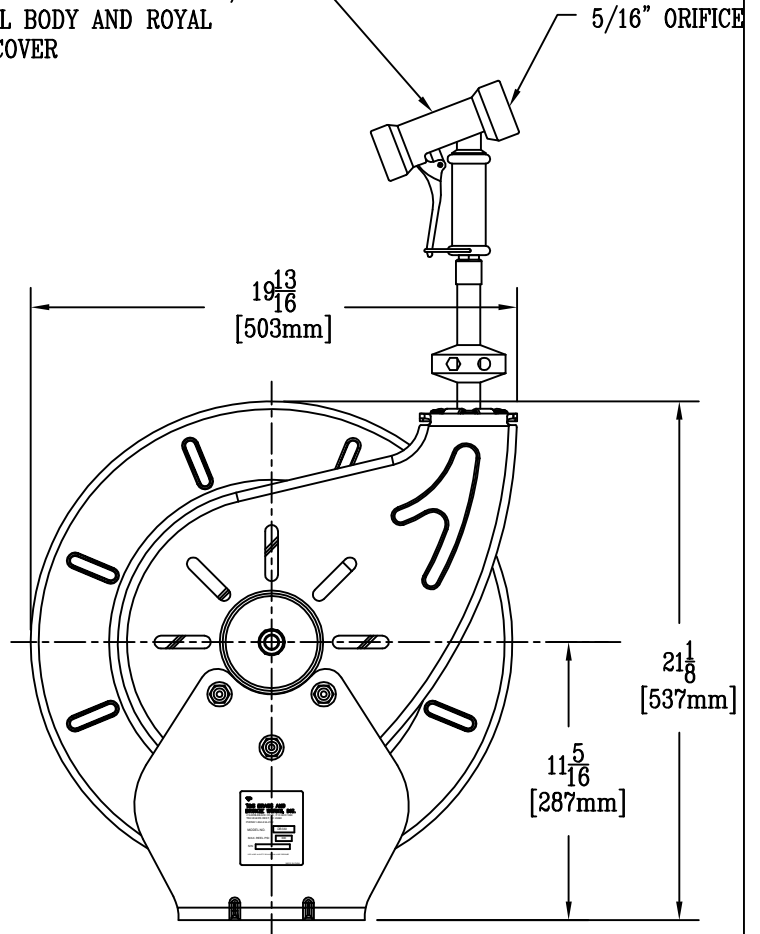
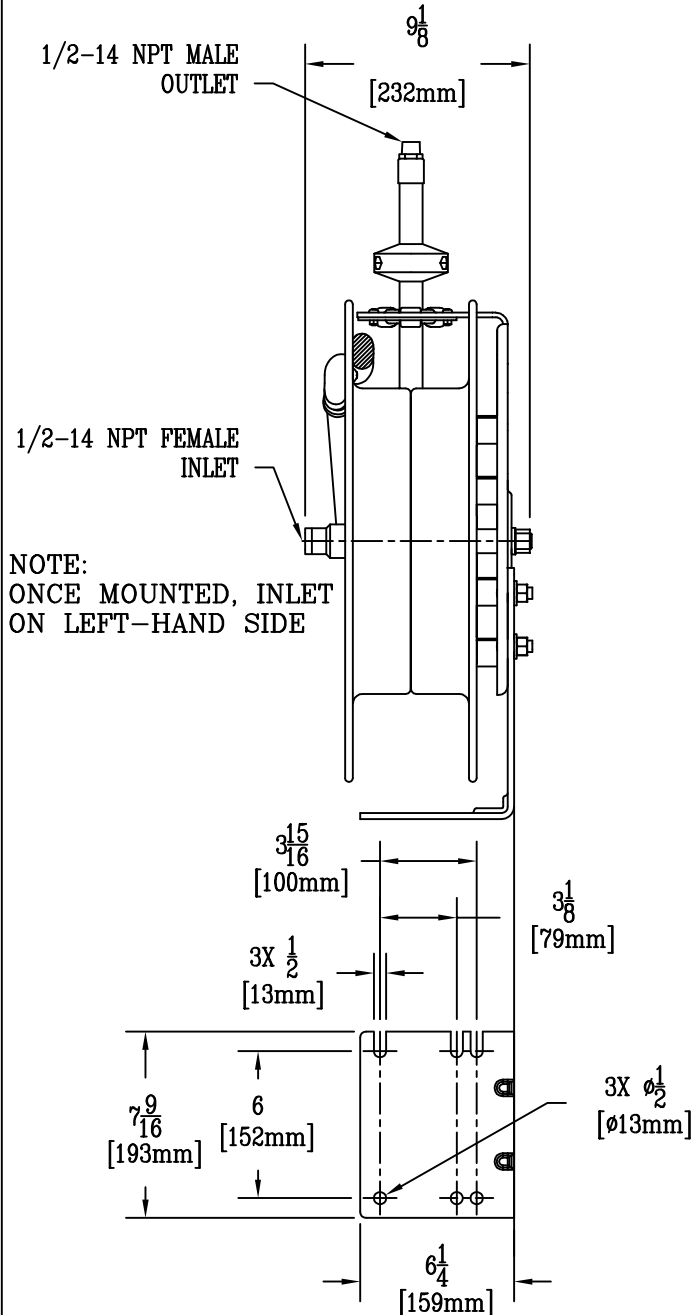
REG.#A2601
ISO #9001

Job Name:

Architect/Engineer Approval:

Notes:

MV-2516-24 REAR TRIGGER STYLE GUN
 WITH RETRACTABLE HOLD DOWN CLIP,
 STAINLESS STEEL BODY AND ROYAL
 BLUE RUBBER COVER



Product Description:
 HOSEREEL, OPEN, STAINLESS STEEL
 50 FT OF 1/2 DIA. BLUE HOSE AND
 MV-2516-24 REAR TRIGGER, 5/16" SPRAY GUN

Drawn:

JRM

Checked

JHB

Scale:

1 : 8

Approved

JHB

Date:

6/09/05