

T&S BRASS AND BRONZE WORKS, INC.

2 SADDLEBACK COVE / P.O. BOX 1088 / TRAVELERS REST, SC 29690

PHONE 800-476-4103

FAX 864-834-3518



REG.#A2601
ISO #9001

Model No.

B-7143-08H

Item No.:

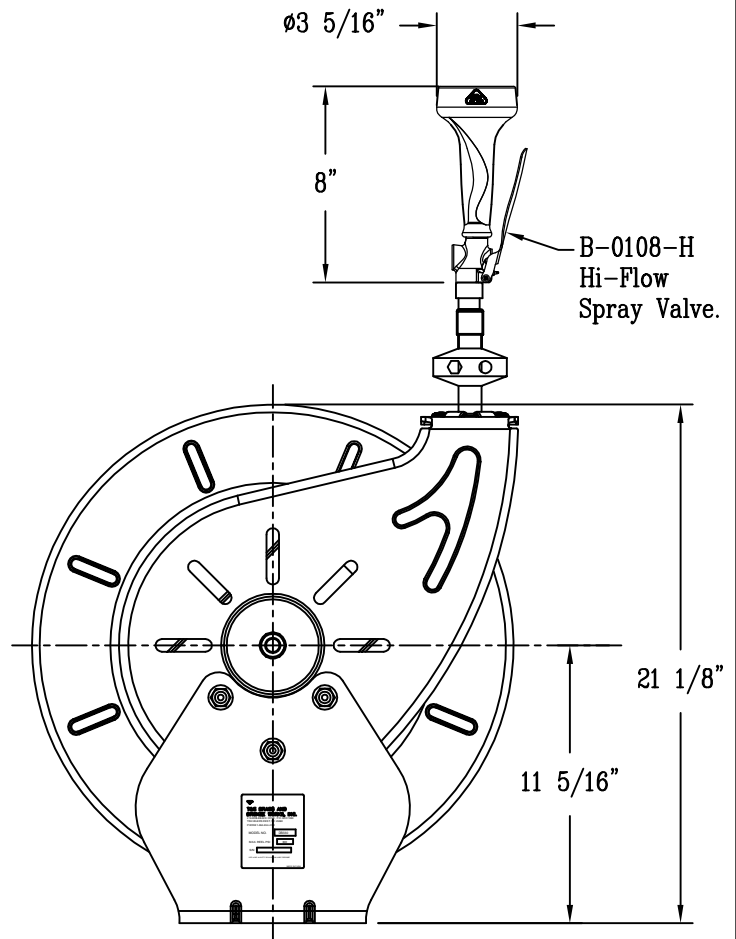
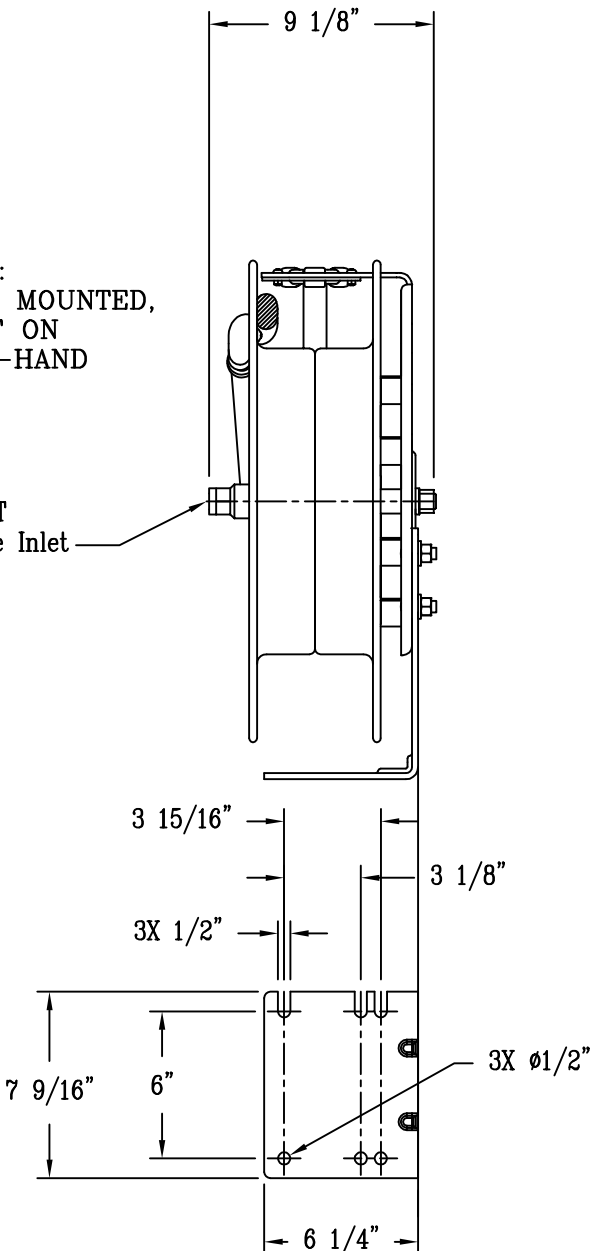
Job Name:

Architect/Engineer Approval:

Notes:

NOTE:
ONCE MOUNTED,
INLET ON
LEFT-HAND
SIDE

1/2" NPT
Female Inlet



Product Description:

Hose Reel, Open, Stainless Steel,
50 Ft. of 1/2" Dia Blue Hose and
B-0108-H Hi-Flow Spray Valve

Drawn:

WJS

Checked

JRM

Scale:

1:8

Approved

JHB

Date:

05/18/06