



**T&S BRASS AND BRONZE WORKS, INC.**

2 SADDLEBACK COVE / P.O. BOX 1088 / TRAVELERS REST, SC 29690

PHONE 800-476-4103

FAX 864-834-3518



REG.#A2601  
ISO #9001

Model No.

B-7222-C05

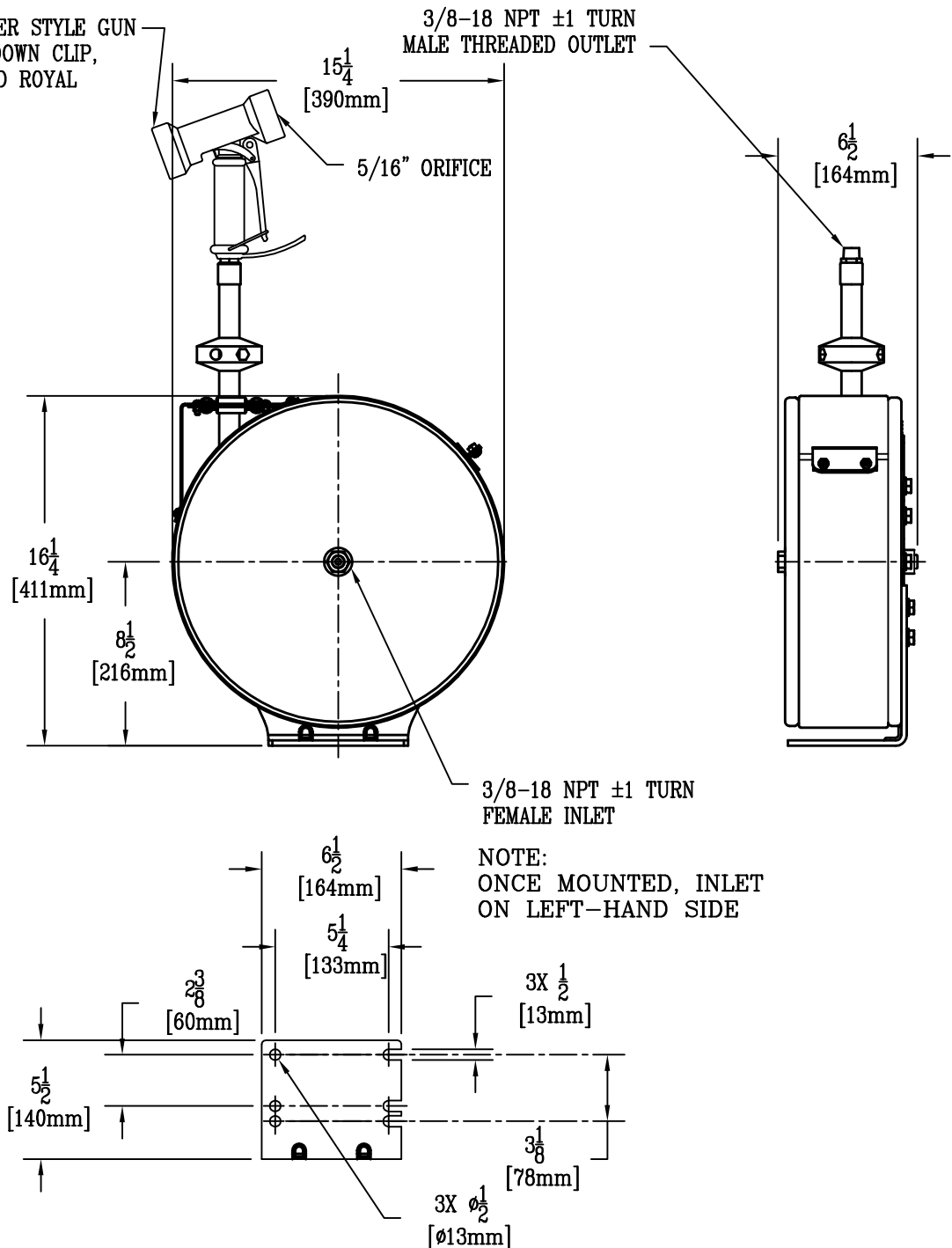
Item No.:

Job Name:

Architect/Engineer Approval:

Notes:

MV-2522-24 FRONT TRIGGER STYLE GUN WITH RETRACTABLE HOLD DOWN CLIP, STAINLESS STEEL BODY AND ROYAL BLUE RUBBER COVER



Product Description:

HOSEREEL, CLOSED, EPOXY POWDER COATED STEEL  
30 FT OF 3/8 DIA. BLUE HOSE AND  
MV-2522-24 FRONT TRIGGER, 5/16" SPRAY GUN

Drawn:

JRM

Checked:

JHB

Scale:

1 : 8

Approved:

JHB

Date:

6/09/05