



T&S BRASS AND BRONZE WORKS, INC.
 2 SADDLEBACK COVE / P.O. BOX 1088 / TRAVELERS REST, SC 29690
 PHONE 800-476-4103 FAX 864-834-3518



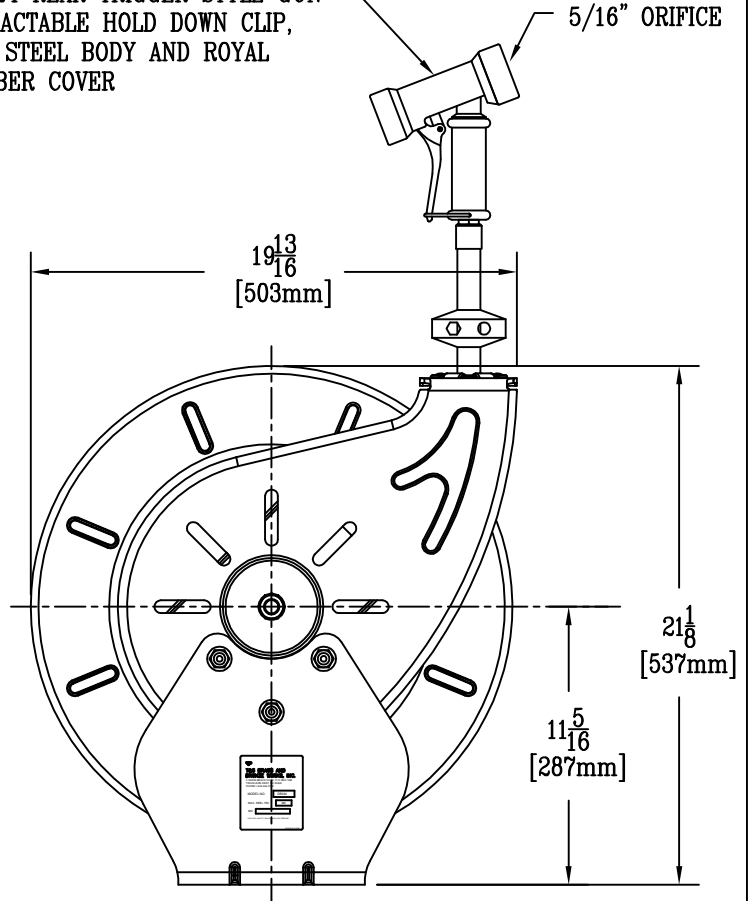
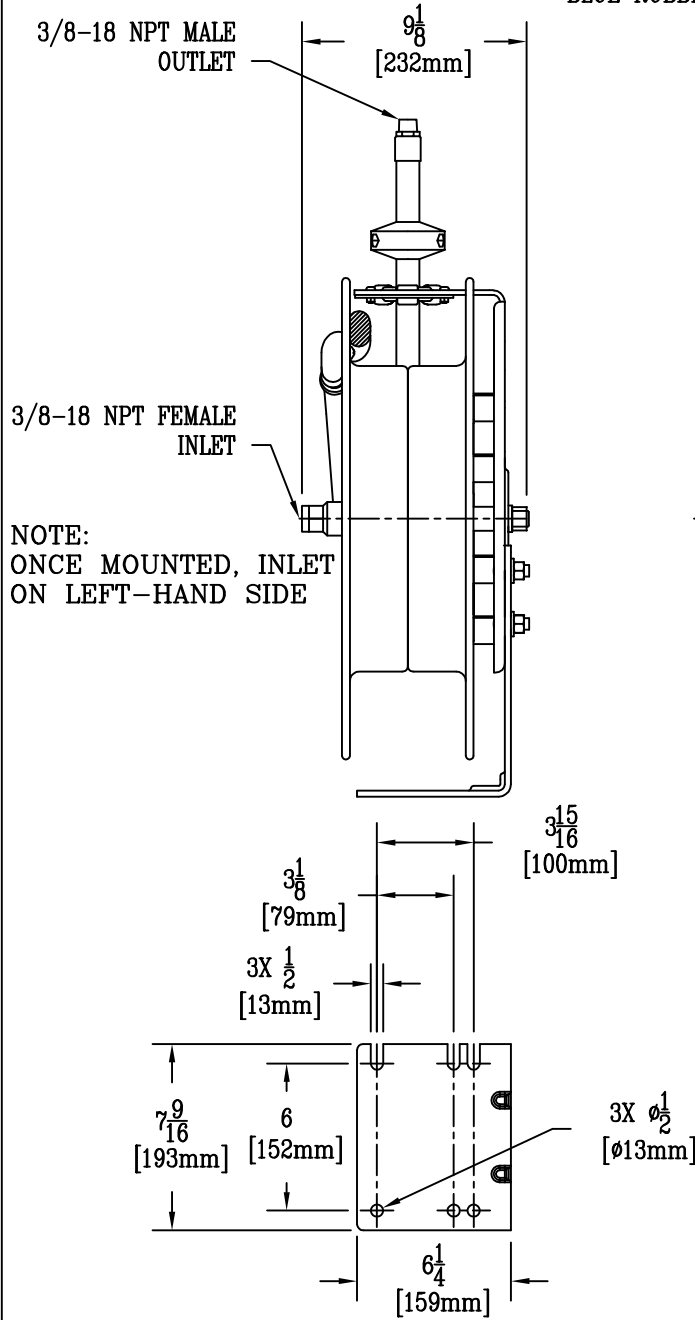
Model No.
B-7242-02
 Item No.:

Job Name:

Architect/Engineer Approval:

Notes:

MV-2516-24 REAR TRIGGER STYLE GUN WITH RETRACTABLE HOLD DOWN CLIP, STAINLESS STEEL BODY AND ROYAL BLUE RUBBER COVER



Product Description:
 HOSEREEL, OPEN, EPOXY POWDERED COATED STEEL
 50 FT OF 3/8 DIA. BLUE HOSE AND
 MV-2516-24 REAR TRIGGER, 5/16" SPRAY GUN

Drawn: JRM	Checked JHB	Scale: 1 : 8
Approved JHB	Date: 06/09/05	