



# T&S BRASS AND BRONZE WORKS, INC.

2 Saddleback Cove / P.O. Box 1088  
Travelers Rest, SC 29690



REG. #A2601  
ISO #9001

Model No.  
**B-7242-C08M**

Item No.

Travelers Rest, SC: 800-476-4103 Simi Valley, CA: 800-423-0150 Fax: 864-834-3518 www.tsbrass.com

This Space for Architect/Engineer Approval

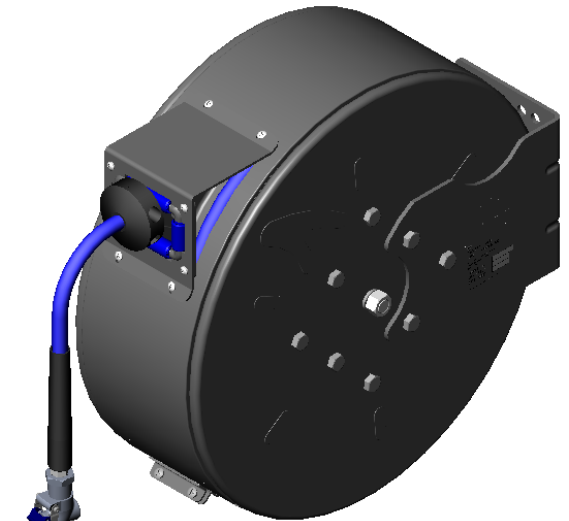
Job Name \_\_\_\_\_ Date \_\_\_\_\_

Model Specified \_\_\_\_\_ Quantity \_\_\_\_\_

Customer/Wholesaler \_\_\_\_\_

Contractor \_\_\_\_\_

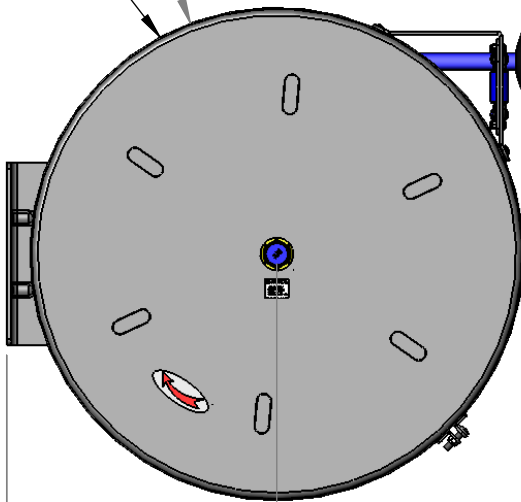
Architect/Engineer \_\_\_\_\_



3/8" NPT Female Inlet  
(Left Side of Reel)

Enclosed Coated Hose Reel;  
50 Ft. of 3/8" Hose

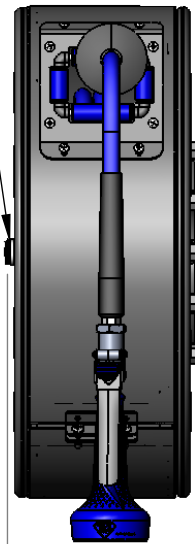
Ø 20 9/16"  
[522mm]



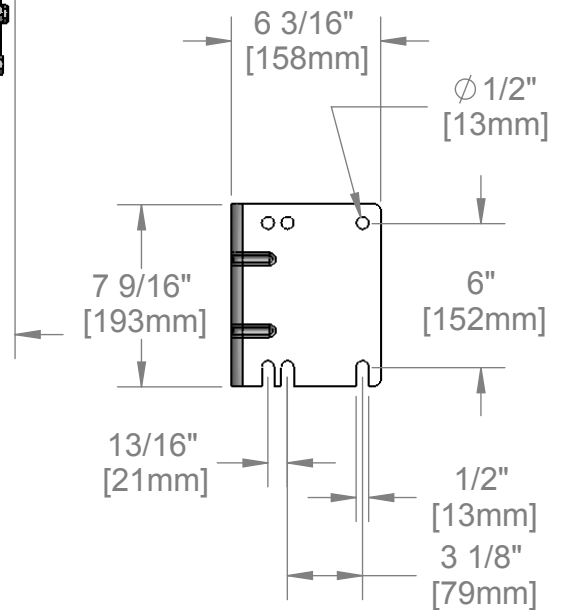
11 1/4"  
[286mm]

21 9/16"  
[547mm]

B-0108  
w/ 1.48 GPM Flow



8 7/16"  
[214mm]



## EPAct2005 COMPLIANT

Product Specifications:

3/8" x 50 Ft. Enclosed Coated Reel  
B-0108 w/ 1.48 GPM Flow

Drawn JRM	Checked DHL	Approved JHB
Scale:	1:8	Date: 12/19/07



**T&S BRASS AND BRONZE WORKS, INC.**  
 2 Saddleback Cove / P.O. Box 1088  
 Travelers Rest, SC 29690



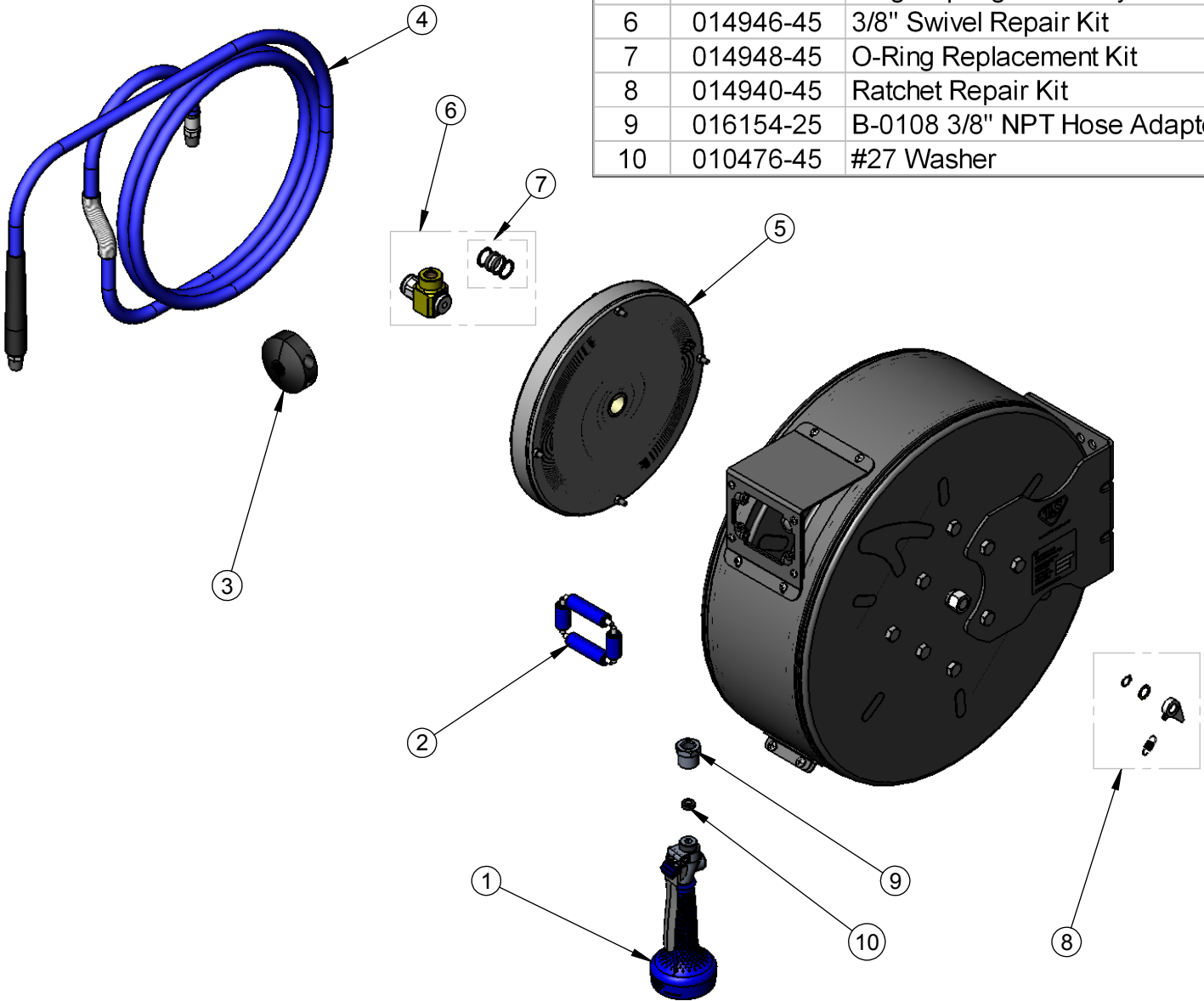
REG. #A2601  
 ISO #9001

Model No.  
**B-7242-C08M**

Item No.

Travelers Rest, SC: 800-476-4103 Simi Valley, CA: 800-423-0150 Fax: 864-834-3518 www.tsbrass.com

ITEM NO.	SALES NO.	DESCRIPTION
1	B-0108	1.48 GPM B-0108 Spray valve
2	014937-45	Roller Assembly Repair Kit
3	014949-45	Hose Stop Repair Kit
4	014942-45	3/8" x 50' Hose Replacement Kit
5	014934-45	Large Spring Assembly
6	014946-45	3/8" Swivel Repair Kit
7	014948-45	O-Ring Replacement Kit
8	014940-45	Ratchet Repair Kit
9	016154-25	B-0108 3/8" NPT Hose Adapter
10	010476-45	#27 Washer



Product Specifications:

3/8" x 50 Ft. Enclosed Coated Reel  
 B-0108 w/ 1.48 GPM Flow

Drawn JRM	Checked DHL	Approved JHB
Scale: 1:8		Date: 12/19/07