



**T&S BRASS AND BRONZE WORKS, INC.**

2 SADDLEBACK COVE / P.O. BOX 1088 / TRAVELERS REST, SC 29690

PHONE 800-476-4103

FAX 864- 834-3518



REG.#A2601  
ISO #9001

Model No.

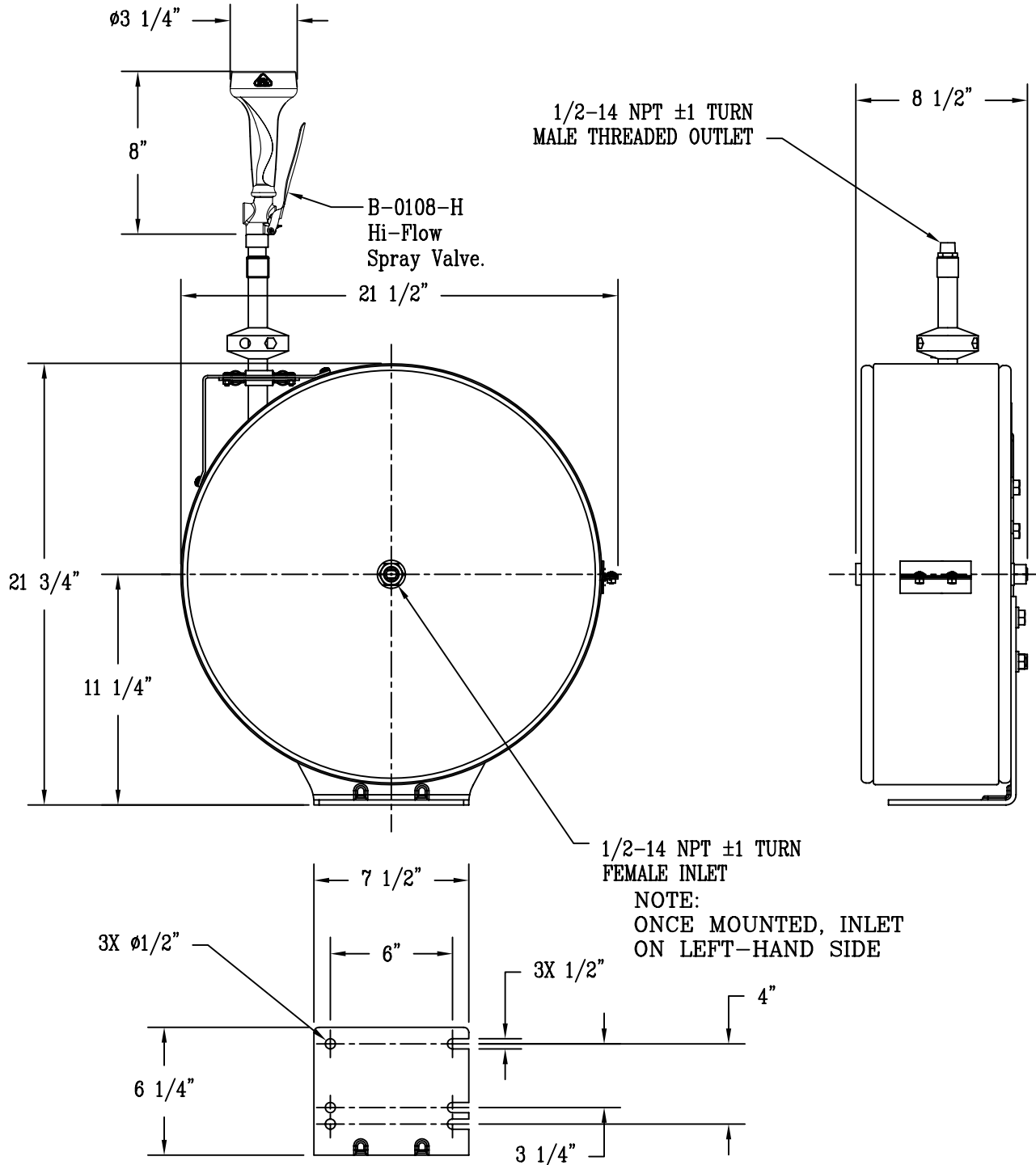
B-7243-C08H

Item No.:

Job Name:

Architect/Engineer Approval:

Notes:



Product Description:  
Hose Reel: Closed, Epoxy Powder Coated Steel,  
50 FT OF 1/2 Dia. Blue Hose and  
Hi-Flow Spray Valve

Drawn: WJS	Checked JRM	Scale: 1 : 8
Approved JHB	Date: 05/18/06	