



T&S BRASS AND BRONZE WORKS, INC.

2 SADDLEBACK COVE / P.O. BOX 1088 / TRAVELERS REST, SC 29690

PHONE 800-476-4103

FAX 864-834-3518



REG.#A2601  
ISO #9001

Model No.

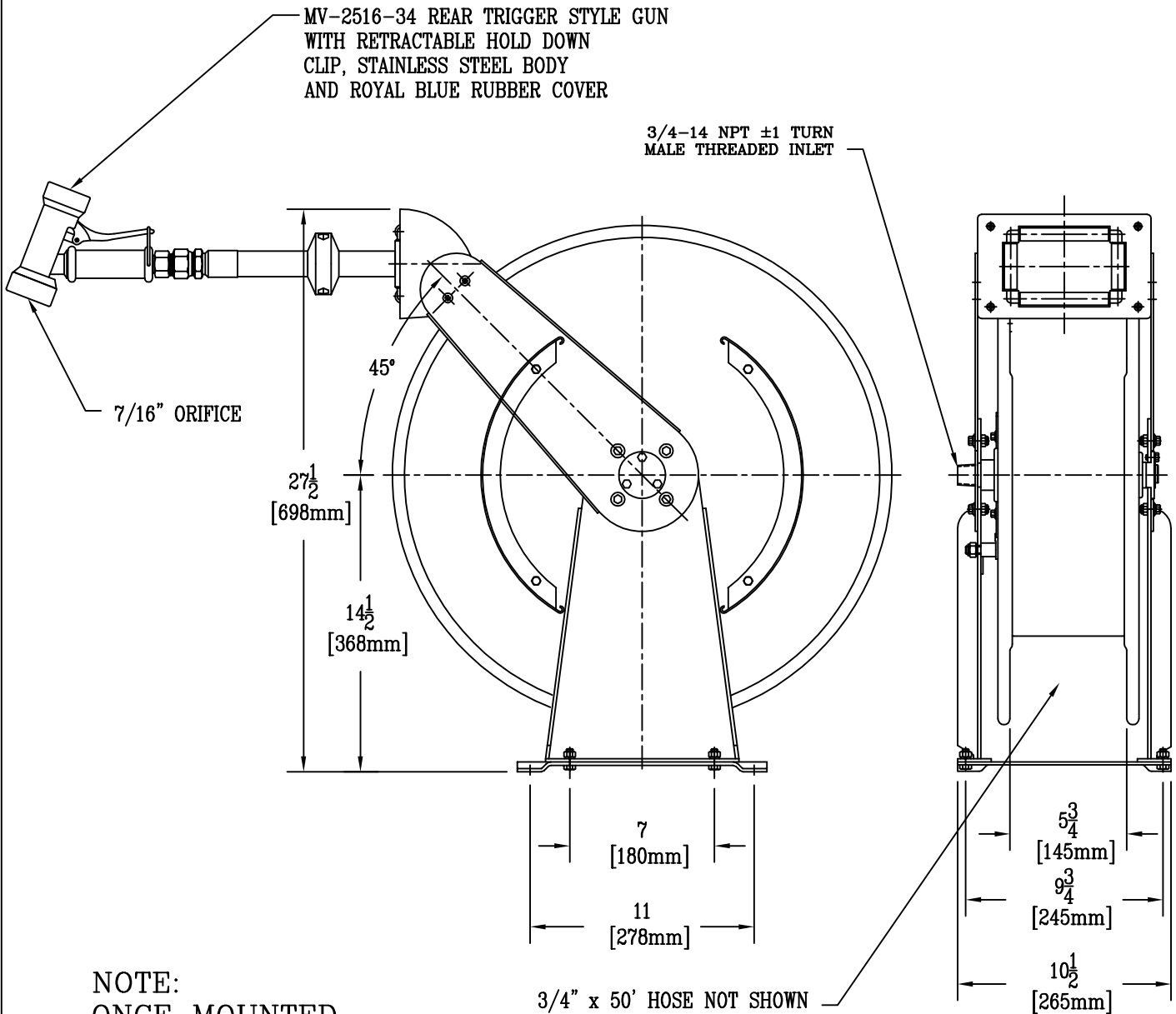
B-7245-03

Item No.:

Job Name:

Architect/Engineer Approval:

Notes:



NOTE:  
ONCE MOUNTED,  
INLET ON  
LEFT-HAND SIDE

Product Description:  
HOSEREEL, OPEN, EPOXY POWDER COATED STEEL  
50 FT OF 3/4 DIA. CREAMERY HOSE AND  
MV-2516-34 REAR TRIGGER 7/16" SPRAY GUN

Drawn: JRM	Checked JHB	Scale: 1 : 8
Approved JHB	Date: 6/09/05	