



T&S BRASS AND BRONZE WORKS, INC.
 2 SADDLEBACK COVE / P.O. BOX 1088 / TRAVELERS REST, SC 29690
 PHONE 800-476-4103 FAX 864- 834-3518



Model No.

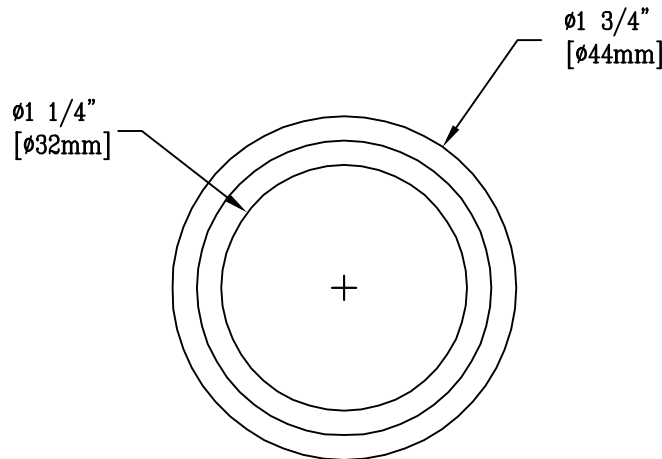
B-KF

Item No.:

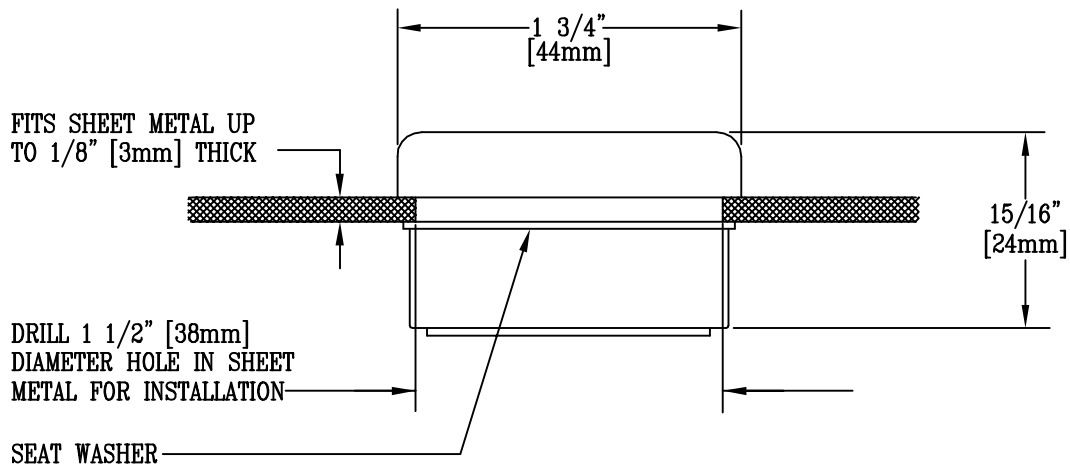
Job Name:

Architect/Engineer Approval:

Notes:



PLAN VIEW



ELEVATION VIEW

Product Description:
 PROTECTIVE FLANGE FOR DECK
 MOUNTED SPRAY HOSES
 FITS SHEET METAL UP TO $\frac{1}{8}''$ THICK

Drawn:

WJS

Approved

CA

Checked

ARY

Scale:

$1' = 1'$

Date:

11/6/95